

2 - Valve Manifold

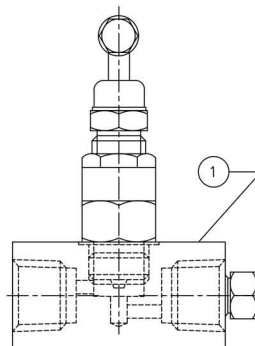
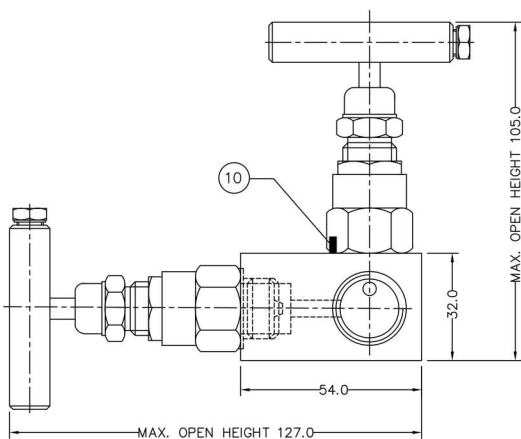
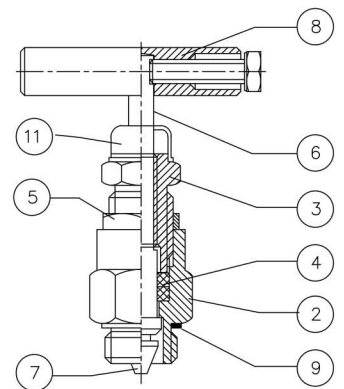
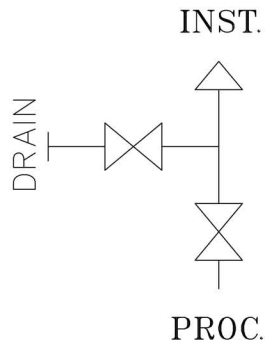
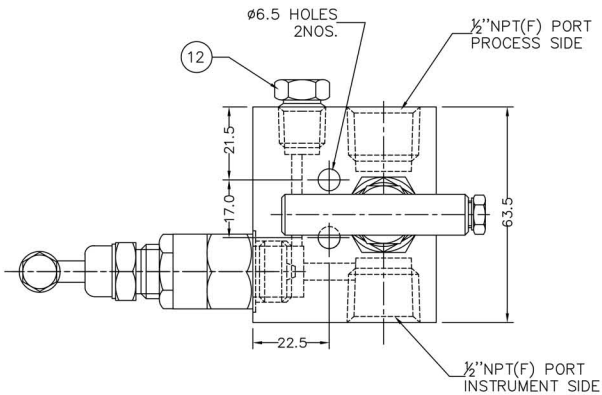
Remote Mount with Drain

Mac-Weld 2 - Valve remote mount manifold provides block and bleed with drain/vent for pressure gauge, switch or transmitter applications.

- 316L Stainless Steel Body, stem and trim
- 6000 psig @ 100° F (414 bar @ 38° C)
- PTFE Packing
- Non-rotating trim provides bubble tight shut-off
- Optional availability: NACE certified wetted parts and graphoil packing



PART NUMBER				
M-2C-L-RM-08F-08F-P				
MANIFOLD TYPE AND DESCRIPTION	END CONNECTION		DRAIN / VENT c/w PLUG	MATERIAL
	PROCESS	INSTRUMENT		
Stainless Steel 2 Valve Block & Bleed, Remote mount, T-Bar handle, c/w Drain/Vent	½" Female NPT	½" Female NPT	¼" Female NPT	316L



PART NO.	PART DESCRIPTION	MATERIAL	QTY
1	BODY	SS 316L	1
2	GLAND BODY	SS 316L	2
3	GLAND RETAINER	SS 304	2
4	GLAND SEAL	P.T.F.E	4
5	CHECK NUT	SS 304	2
6	SPINDLE	SS 316L	2
7	TRIM	SS 316L	2
8	HANDLE	SS 304	2
9	WASHER	S.S.	2
10	LOCK PIN	SS 304	2
11	DUST CAP	P.V.C.	2
12	DRAIN PLUG ¼" NPT (M)	SS 316L	1