

5 - Valve Manifold

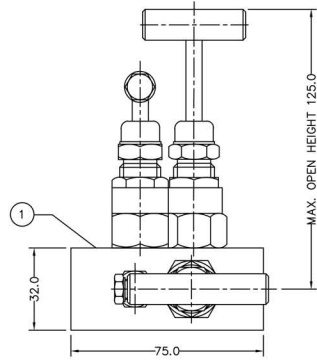
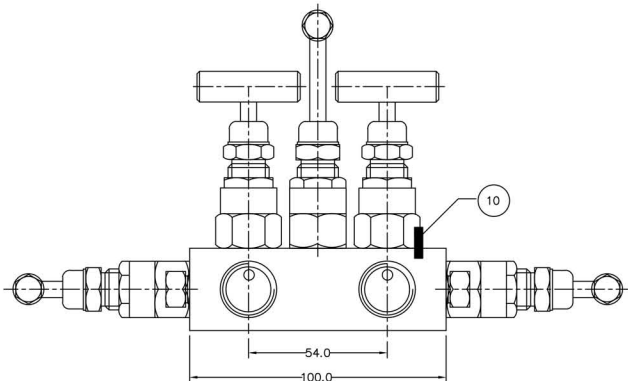
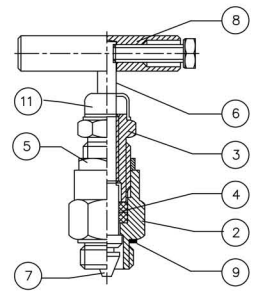
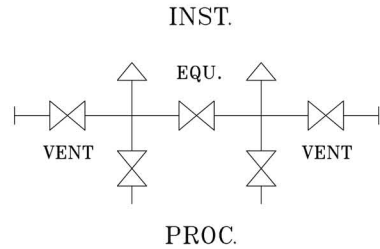
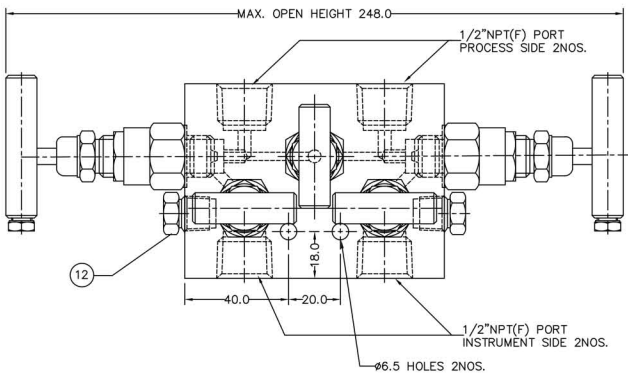
Remote Mount with Drain

Mac-Weld's 5 - Valve Remote Mount Manifold with drain/vent for differential pressure instrumentation. The manifold has one equalizer valve, two isolation valves and two drain/vent ports.

- 316L Stainless Steel Body, stem and trim
- 6000 psig @ 100° F (414 bar @ 38° C)
- PTFE Packing
- Non-rotating trim provides bubble tight shut-off
- Optional availability: NACE certified wetted parts and graphoil packing



PART NUMBER				
M-5C-L-RM-08F-08F-P				
MANIFOLD TYPE AND DESCRIPTION	END CONNECTION		DRAIN / VENT c/w PLUG	MATERIAL
	PROCESS	INSTRUMENT		
Stainless Steel 5 Valve Manifold, Remote mount, T-Bar handle	½" Female NPT	½" Female NPT	¼" Female NPT	316L



PART NO.	PART DESCRIPTION	MATERIAL	QTY
1	BODY	SS 316L	1
2	GLAND BODY	SS 316L	5
3	GLAND RETAINER	SS 304	5
4	GLAND SEAL	P.T.F.E	10
5	CHECK NUT	SS 304	5
6	SPINDLE	SS 316L	5
7	TRIM	SS 316L	5
8	HANDLE	SS 304	5
9	WASHER	S.S.	5
10	LOCK PIN	SS 304	5
11	DUST CAP	P.V.C.	5
12	DRAIN PLUG ¼" NPT (F)	SS 316L	2