

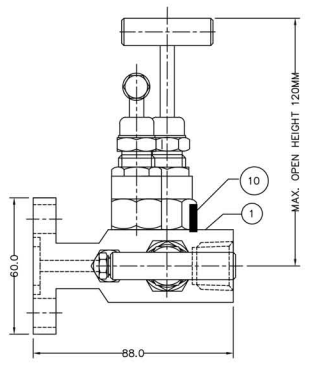
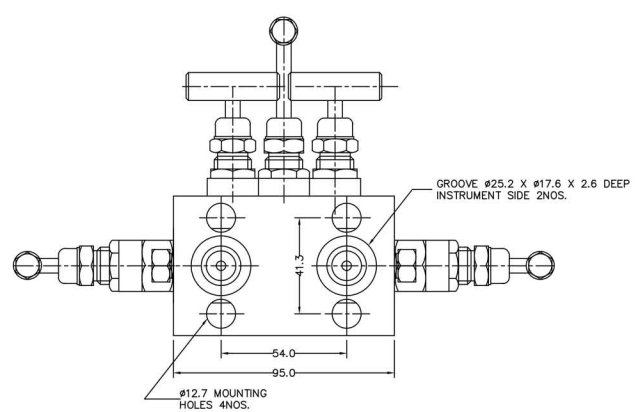
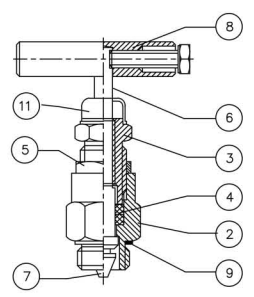
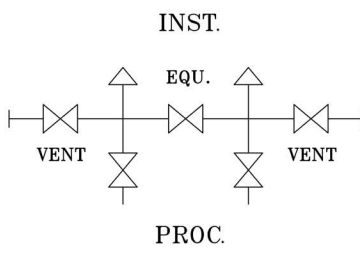
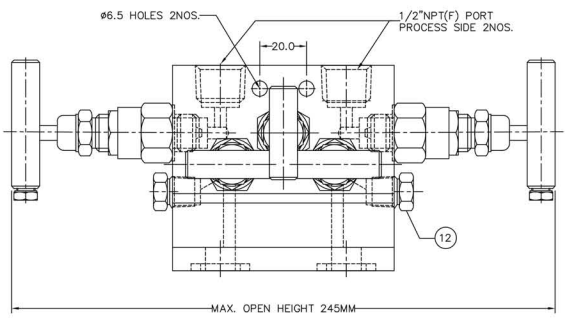
## 5 - Valve 'T' Type Manifold Direct Mount with Drain

Mac-Weld's 5 - Valve Direct Mount 'T' Type Manifold with drain/vent for differential pressure instrumentation. The manifold has one equalizer valve, two isolation valves, two vent valves and drain/vent ports.

- 316L Stainless Steel Body, stem and trim
- 6000 psig @ 100° F (414 bar @ 38° C)
- PTFE Packing
- Non-rotating trim provides bubble tight shut-off
- Optional availability: NACE certified wetted parts and graphoil packing
- Flange O-rings and mounting bolts included with manifold



PART NUMBER				
M-5T-L-DM-08F-FLG-P				
MANIFOLD TYPE AND DESCRIPTION	END CONNECTION		DRAIN / VENT c/w PLUG	MATERIAL
	PROCESS	INSTRUMENT		
Stainless Steel 5 Valve Manifold, 'T' Type, Direct mount, T-Bar handle,c/w Drain/Vent	1/2" Female NPT	Flange	1/4" Female NPT	316L



PART NO.	PART DESCRIPTION	MATERIAL	QTY
1	BODY	SS 316L	1
2	GLAND BODY	SS 316L	5
3	GLAND RETAINER	SS 304	5
4	GLAND SEAL	P.T.F.E	10
5	CHECK NUT	SS 304	5
6	SPINDLE	SS 316L	5
7	TRIM	SS 316L	5
8	HANDLE	SS 304	5
9	WASHER	S.S.	5
10	LOCK PIN	SS 304	5
11	DUST CAP	P.V.C.	5
12	DRAIN PLUG 1/4" NPT (M)	SS 316L	2