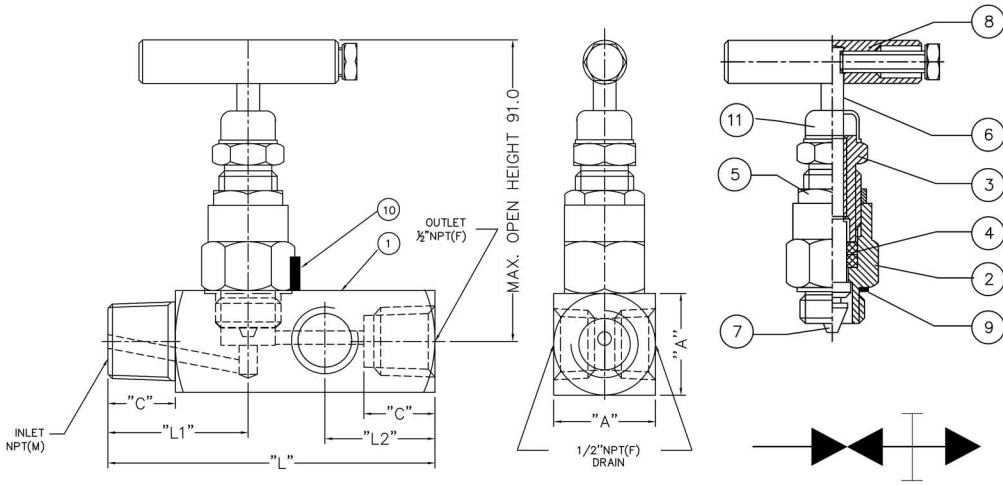


Gauge Root Valve

Male Inlet x 3 Female Outlet

Mac-Weld's Gauge Root Valve provides an efficient means of mounting gauge and static instrumentation.

- 316L Stainless Steel Body, stem and trim
- 6000 psig @ 100° F (414 bar @ 38° C)
- PTFE Packing
- Non-rotating trim provides bubble tight shut-off
- Optional availability: NACE certified wetted parts and graphoil packing



PART NO.	PART DESCRIPTION	MATERIAL	QTY
1	BODY	SS 316L	1
2	GLAND BODY	SS 316L	1
3	GLAND RETAINER	SS 304	1
4	GLAND SEAL	P.T.F.E	2
5	CHECK NUT	SS 304	1
6	SPINDLE	SS 316L	1
7	TRIM	SS 316L	1
8	HANDLE	SS 304	1
9	WASHER	S.S.	1
10	LOCK PIN	SS 304	1
11	DUST CAP	P.V.C.	1
12	PLUG 1/4" NPT (M)	SS 316L	1

PART INFORMATION							
MNPT X FNPT X 2 FNPT			DIMENSIONS: INCHES (MILIMETRES)				
PART NUMBER	END CONNECTION		"A"	"C"	"L"	"L1"	"L2"
	INLET SIZE (NPT)	OUTLET SIZE (NPT)					
GV-L-08M-08F	1/2"	1/2"	1.26 (32.00)	0.75 (19.00)	4.33 (110.00)	2.01 (51.00)	1.26 (32.00)
GV-L-12M-08F	3/4"	1/2"	1.26 (32.00)	0.75 (19.00)	4.33 (110.00)	2.01 (51.00)	1.26 (32.00)