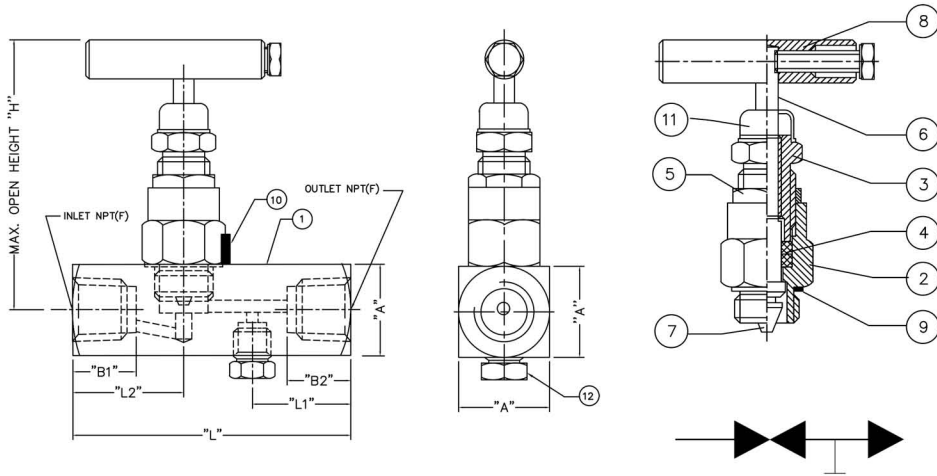


Instrument Needle Valve

Female Inlet x Male Outlet

Mac-Weld Instrument Needle Valves provide reliable throttling and block capability for high pressure gas or liquid service.

- 316L Stainless Steel Body, stem and trim
- 6000 psig @ 100° F (414 bar @ 38° C)
- PTFE Packing
- Non-rotating trim provides bubble tight shut-off
- Optional availability: NACE certified wetted parts and graphoil packing



PART NO.	PART DESCRIPTION	MATERIAL	QTY
1	BODY	SS 316L	1
2	GLAND BODY	SS 316L	1
3	GLAND RETAINER	SS 304	1
4	GLAND SEAL	P.T.F.E	2
5	CHECK NUT	SS 304	1
6	SPINDLE	SS 316L	1
7	TRIM	SS 316L	1
8	HANDLE	SS 304	1
9	WASHER	S.S.	1
10	LOCK PIN	SS 304	1
11	DUST CAP	P.V.C.	1
12	PLUG 1/4" NPT (M)	SS 316L	1

PART INFORMATION										
FNPT X FNPT X FNPT				DIMENSIONS: INCHES (MILIMETRES)						
PART NUMBER	END CONNECTION		DRAIN/VENT c/w PLUG (NPT)	"A"	"B1"	"B2"	"L"	"L1"	"L2"	"H" MAX
	INLET SIZE (NPT)	OUTLET SIZE (NPT)								
NV-L-08F-08F-P	1/2"	1/2"	1/4"	1.26 (32.00)	0.75 (19.00)	0.75 (19.00)	3.07 (78.00)	1.18 (30.00)	1.26 (32.00)	3.50 (89.00)