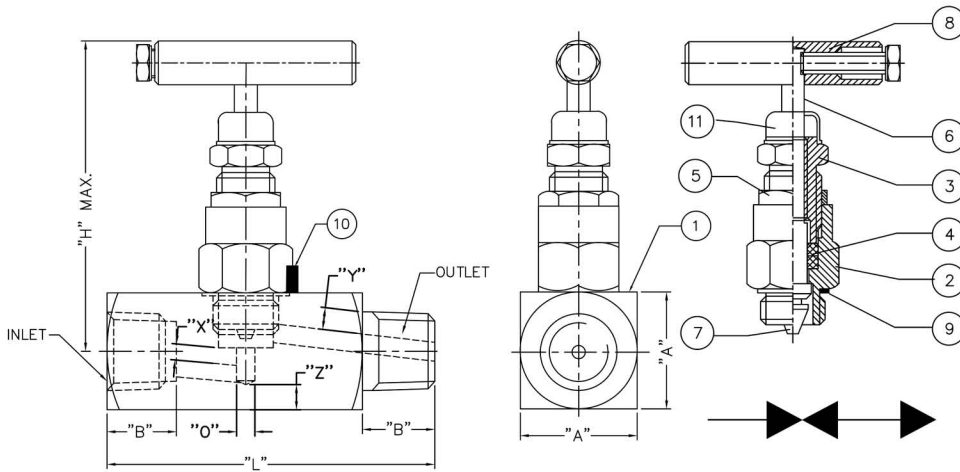


Instrument Needle Valve

Female Inlet x Male Outlet

Mac-Weld Instrument Needle Valves provide reliable throttling and block capability for high pressure gas or liquid service.

- 316L Stainless Steel Body, stem and trim
- 6000 psig @ 100° F (414 bar @ 38° C)
- PTFE Packing
- Non-rotating trim provides bubble tight shut-off
- Optional availability: NACE certified wetted parts and graphoil packing



PART NO.	PART DESCRIPTION	MATERIAL	QTY
1	BODY	SS 316L	1
2	GLAND BODY	SS 316L	1
3	GLAND RETAINER	SS 304	1
4	GLAND SEAL	P.T.F.E	2
5	CHECK NUT	SS 304	1
6	SPINDLE	SS 316L	1
7	TRIM	SS 316L	1
8	HANDLE	SS 304	1
9	WASHER	S.S.	1
10	LOCK PIN	SS 304	1
11	DUST CAP	P.V.C.	1

PART INFORMATION										
FNPT X MNPT			DIMENSIONS: INCHES (MILIMETRES)							
PART NUMBER	END CONNECTION		"A"	"B"	"L"	"O"	"X"	"Y"	"Z"	"H" MAX
	INLET SIZE (NPT)	OUTLET SIZE (NPT)								
NV-L-02F-02M	1/8"	1/8"	1.10 (28.00)	0.39 (10.00)	2.68 (68.00)	0.16 (4.00)	0.13 (3.40)	0.12 (3.00)	0.22 (5.50)	3.43 (87.00)
NV-L-04F-04M	1/4"	1/4"		0.55 (14.00)	3.07 (78.00)		0.17 (4.40)	0.16 (4.00)	0.19 (4.70)	
NV-L-06F-06M	3/8"	3/8"		0.16 (4.00)	0.20 (5.00)		0.20 (5.00)			
NV-L-08F-08M	1/2"	1/2"	1.26 (32.00)	0.75 (19.00)	3.46 (88.00)	0.20 (5.00)	0.18 (4.50)	0.26 (6.50)	0.24 (6.00)	3.50 (89.00)
NV-L-12F-12M	3/4"	3/4"	1.50 (38.00)	0.95 (24.00)	4.13 (105.00)	0.32 (8.00)	0.20 (5.00)	0.31 (7.90)	0.28 (7.00)	3.66 (93.00)
NV-L-16F-16M	1"	1"	1.77 (45.00)						0.39 (10.00)	0.22 (5.60)