

Aircom
Industries

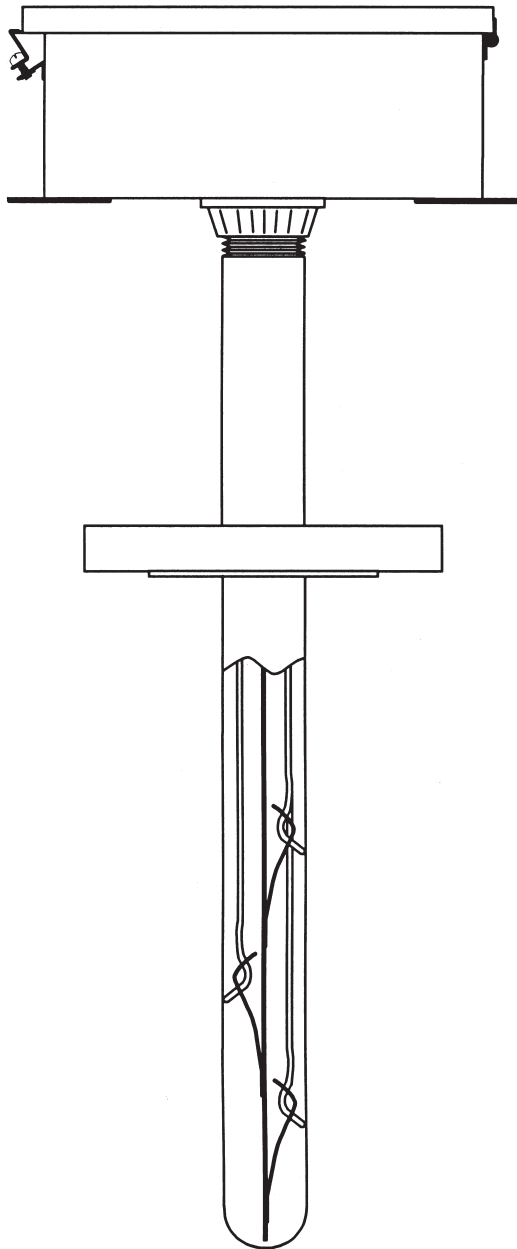


Spring Loaded Multi-Point Assemblies	MP-1
Multi-Tube Multi-Point Assemblies.....	MP-1
Free Hanging Multi-Point Assemblies.....	MP-2
Down-Hole and Special Application Multi-Points.....	MP-2



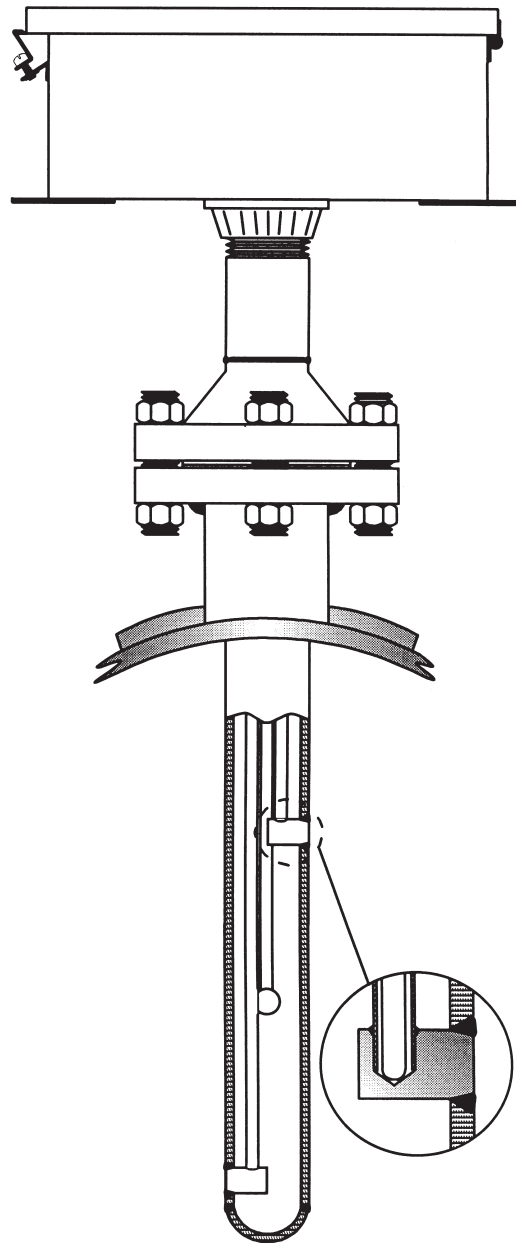
MULTI-POINT THERMOCOUPLES

Spring Loaded



The spring loaded effect of this design provides direct positive contact of the sensing element to the inner wall of the protection tube. Response time is quicker and assembly is made easier, as the assembly can be coiled for shipment and uncoiled prior to installation. RTD elements are also available in this style. Please consult factory for details.

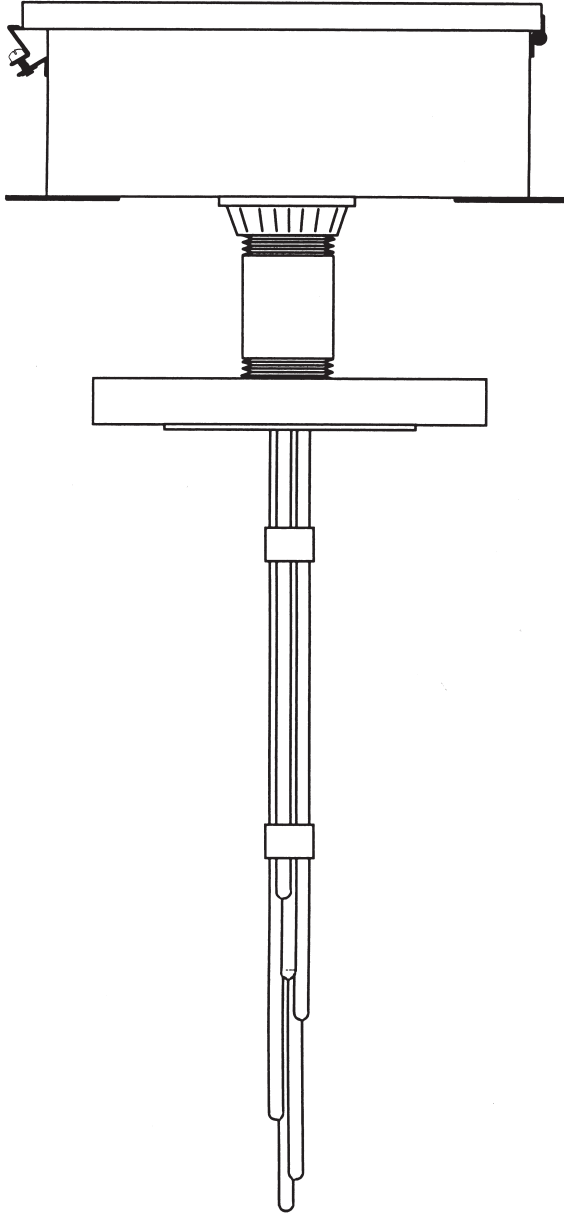
Multitube



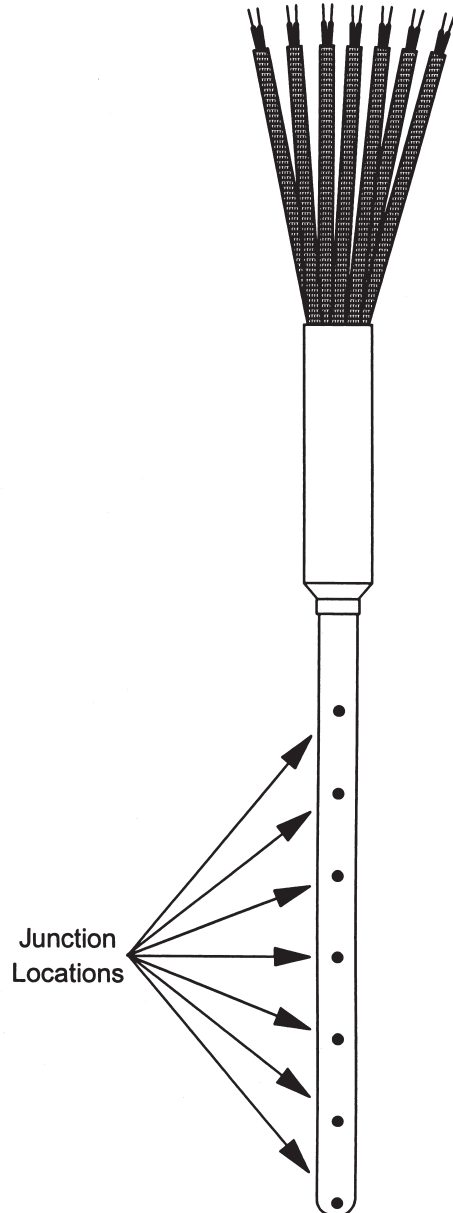
This design has a high mechanical strength in high pressure, high temperature and extremely adverse process environments. Sensing elements are in positive contact with the junction blocks which are an integral part of the thermowell. Individual probes can be replaced without disassembly of the entire unit. Metal sheathed and beaded thermocouple probes are available as are RTD elements. Please consult factory for details.

MULTI-POINT THERMOCOUPLES

**Free Hanging
Multi-Point**



**Multi-Point
Probe**



For tamer environments, this assembly is the low cost alternative. Supplied with thermocouples or RTD's, this unit can be installed as is or within a protection tube where it would provide a profile of the temperature by measuring the dead air within the tube. Individual beaded or sheathed thermocouples and RTD elements can be replaced on site. Consult factory for details.

This is the assembly for the space conscious. It can be manufactured as small as 1/8" O.D. with points located to your specifications. Each point can be insulated from the sheath and is insulated from all other points in the assembly. Profiles can be assessed where only single points existed. Please consult factory for details.