

Aircom
Industries



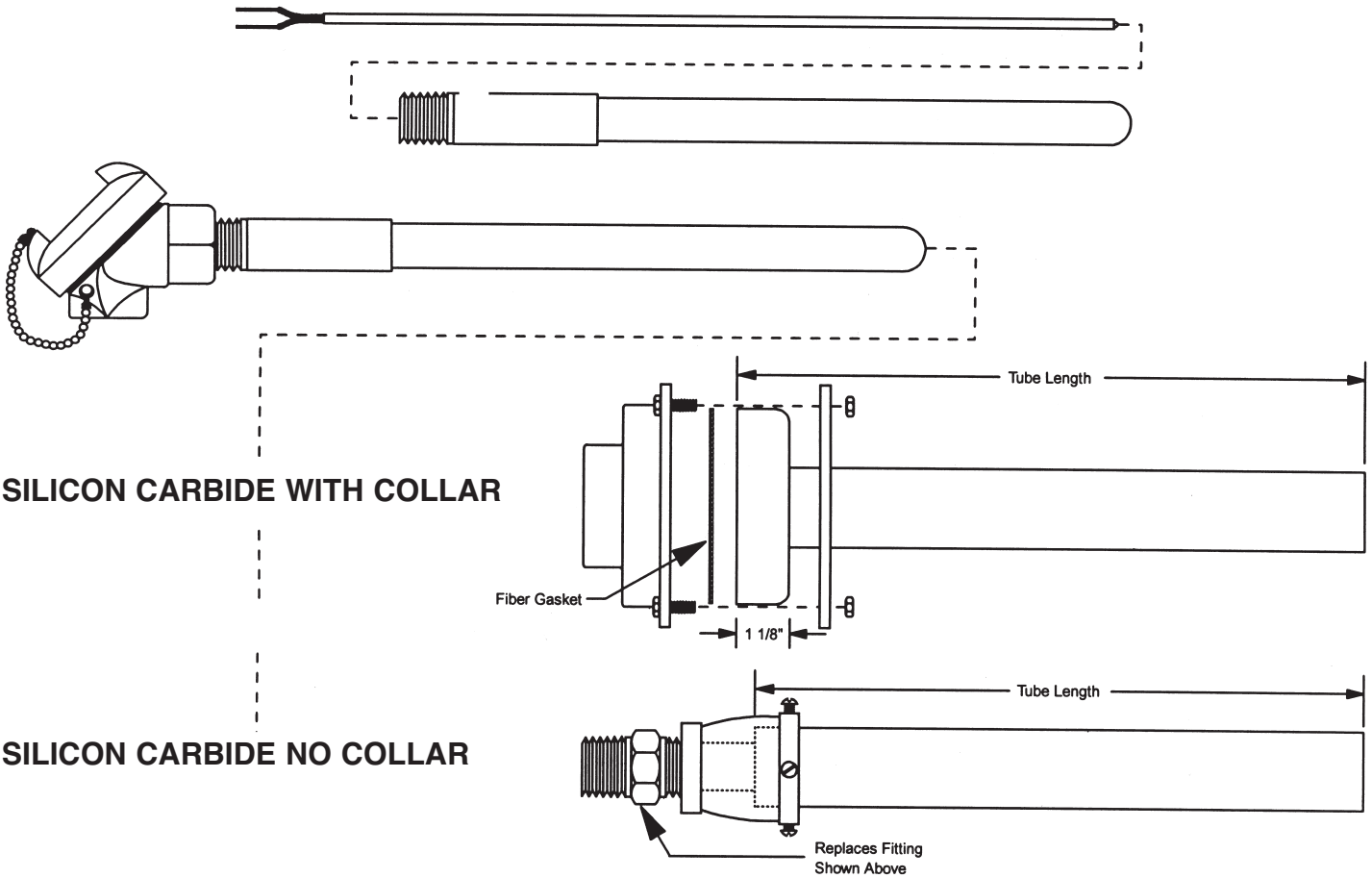
Silicon Carbide Protection Tubes PT-1

Alumina, Mulite, Metal Ceramic and Zirconia Protection Tubes PT-2

Metal Protection Tubes PT-3



SILICON CARBIDE PROTECTION TUBES



Connection Head: General purpose connection for non-hazardous locations.

Element: ANSI Calibration type R, S for service to 1482°C.

ANSI Calibration type B (non ANSI WR, W3, W5) for service to 1650°C.

Internal Protection Tube: Alumina (99.8% Al₂O₃) 11/16" O.D. x 7/16" I.D.

External Protection Tube: Silicon Carbide (SiC) 1 3/4" O.D. x 1" I.D., 1650°C maximum temperature.

TO ORDER: PT1

X

X

X

X

X

ISA Calibration
(X) = Sensor Not
Required

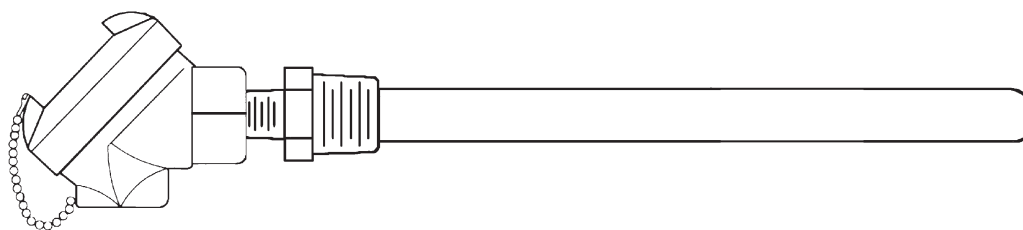
C	Complete Assembly
E	Element Only
I	Inner Tube Only
O	Outer Tube Only

Connection Head
Specify Model
from TC-9

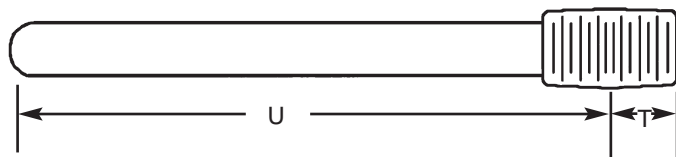
CPT	With Collar
SPT	No Collar

Code	Lengths Available
12	12"
16	16"
18	18"
24	24"
30	30"
36	36"
42	42"
48	48"

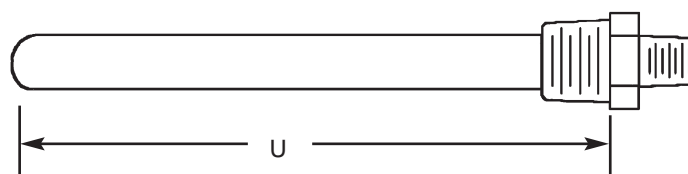
ALUMINA, MULLITE, METAL CERAMIC AND



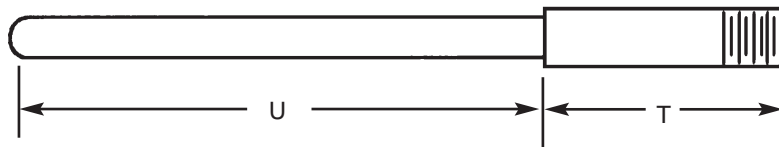
MODEL: NP



MODEL: BP



MODEL: NPI



TO ORDER:

PT2- - - - - - - - - -

Connection Head
Specify Model
from TC-9

ISA Calibration
(X) = Sensor Not Required

(T) Inches
(X) Not Applicable

(U) Inches

Code	Type
C	Complete Assembly
E	Element Only
T	Protection Tube Only

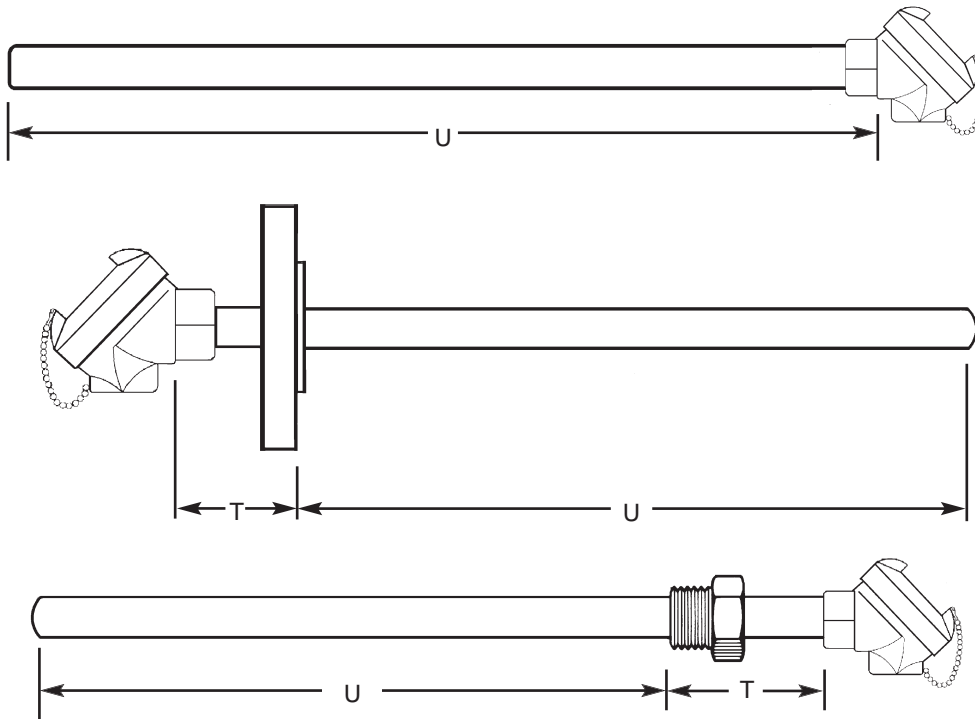
Code	Tube Size
14	1/4" I.D. x 3/8" O.D. (1/2" NPT Process)
76	7/16" I.D. x 11/16" O.D. (3/4" NPT Process)
96	9/16" I.D. x 3/4" O.D. (3/4" NPT Process)
*MCT	5/8" I.D. x 7/8" O.D. (1" NPT Process)

* Applies to Metal Ceramic only.

Code	Model
NP	Pipe Nipple TBE
BP	Fixed Bushing
NPI	Pipe Nipple Toe

Code	Tube Material
MPT	Mullite (1650°C Max.)
APT	Alumina (1800°C Max.)
ZPT	Zirconia (2350°C Max.)
MCT	Metal Ceramic (1537°C Max)

METAL ALLOY PROTECTION TUBES



11	304/L Stainless Steel	22	Incoloy 825
12	309 Stainless Steel	23	Monel 400
13	310 Stainless Steel	24	Hastelloy X
14	316/L Stainless Steel	25	Hastelloy C276
15	321 Stainless Steel	26	Hastelloy B
16	347 Stainless Steel	27	Nickel 200
17	410 Stainless Steel	28	Titanium
18	Inconel 600	29	Carbon Steel
19	Inconel 601	30	Aluminum
20	Inconel 625	31	Copper
21	Incoloy 800	32	(Specify)

TO ORDER:

PT3 - - - - - - - - - -

14	1/4"
12	1/2"
34	3/4"
10	1"

Connection Head
Specify Model
from TC-9

Model	Description
PT	Plain Protection Tube
PTF	Flanged Tube
PTT	Fixed Bushing

Material
Code (Above)

40	Schedule 40
80	Schedule 80
160	Schedule 160
XXH	XX Heavy

(U) Inches

(T) Inches
(X) Not Applicable

ISA Calibration

12	1/2" NPT
34	3/4" NPT
10	1" NPT
14	1 1/4" NPT
()	Flange (Specify)
X	Not Applicable

NOTE:

- For replacement elements, refer to Page TC-4, TC-12 or RT-4.
Probe "L" = U + T + 3/4".
- Ceramic insulated sensors supplied unless otherwise specified