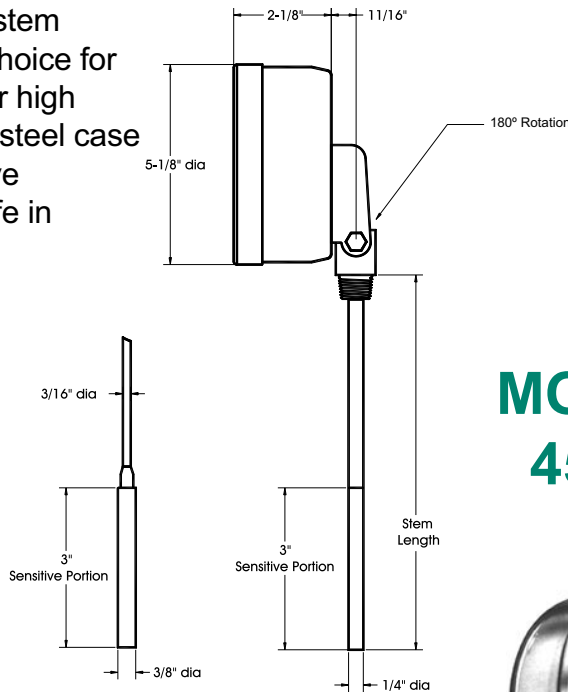
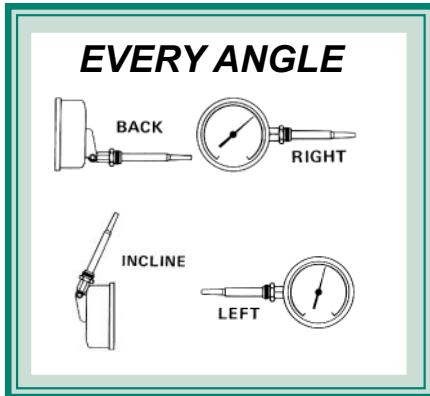


REOTEMP's Rugged Direct Drive System makes our **45GR** and **45LR** the right choice for temperature indication in heavy duty or high vibration applications. Its all-stainless steel case and internals, along with the direct drive system, result in superior instrument life in severe environments.



**MODEL 45LR**



**MODEL 45GR**

**Specifications:**

<b>CASE:</b>	Stainless Steel (SS)
<b>DIAL FACE:</b>	4 1/2" Satin Finish Aluminum, Black Lines and Numbers
<b>LENS:</b>	Gasket Sealed Glass (Polycarbonate Optional)
<b>POINTER:</b>	Micrometer Adjustment Type
<b>BULB:</b>	SS Welded Construction
<b>ACTUATION:</b>	<b>45 LR</b> - Inert Liquid thru SS Direct Drive Bourdon Coil (For *ranges, Nitrogen thru SS), Direct Drive Bourdon Coil. <b>45GR</b> - Nitrogen thru SS Direct Drive Bourdon Coil.
<b>ACCURACY:</b>	+/- 1 % of Range Span

**How to Order**

**45GR**

**06**

**08**

**ST6 316**

Model	Stem Length	Temperature Range	Accessories				
<b>45GR</b> = Gas Actuated 3/8" Stem	<b>02</b> = 2 1/2" (LR Only)	See chart on Page 25.	Standard Thermowells (3/4"NPT, 316SS)				
	<b>04</b> = 4"		Stem Length	"U" Dim.	1/4" element	3/8" element	
<b>06</b> = 6"	4"		2.5"	<b>ST4316</b>	<b>GXTW146</b>		
<b>45LR</b> = Inert Liquid Actuated, 1/4" Stem	<b>09</b> = 9"		6"	4.5"	<b>ST6316</b>	<b>GXTW147</b>	
	<b>12</b> = 12"		9"	7.5"	<b>ST9316</b>	<b>GXTW148</b>	
	<b>15</b> = 15"		(More wells on: p.14 p.24)				
			<b>EC</b> = Elec. Connection	<b>SG</b> = Tempered Glass			
			<b>MP</b> = Max Pointer	<b>PY</b> = Plastic Crystal			