

4 1/2" PROCESS GAUGES

SERIES PT

- Solid Front / Blowout Back
- All Stainless Steel Internal Parts
- Adjustable Pointer
- Glycerine Filled or Dry/Fillable
- Repairable

Specifications

Case: "Phenolic" (Fiberglass Reinforced Thermoplastic)
Solid Front, Blowout Back

Ring: Fiberglass Reinforced Thermoplastic
Screwed Ring, Removable

Lens: Tempered Glass

Dial: Aluminum, Black Figures on White Background

Pointer: Adjustable, Aluminum, Black

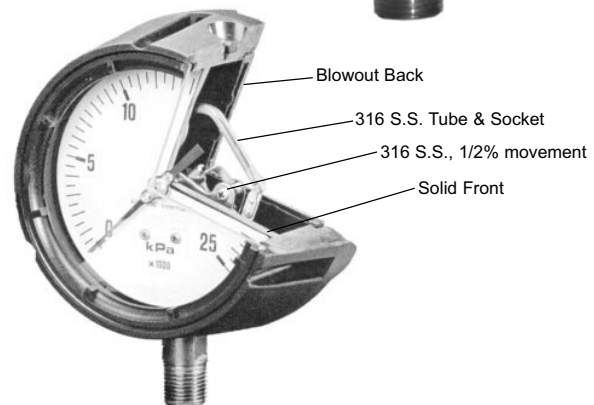
Wetted Parts: 316 St. Steel with Restrictor screw

Temperature: Ambient: 0 to 150°F (Glycerine Filled)
Process: -30 to 400°F (Dry)

Accuracy: 0.5% Full Scale

Applications

Reotemp Series PT Process Gauge is designed to withstand corrosive atmospheres and media, pulsation and vibration; a very rugged gauge engineered for the process industries. The solid front/blowout back provides a high degree of user safety.



HOW TO ORDER

PT — **45** — **P** — **1** — **A** — **4** — **P23** — **G**

Dial: 45 = 4.5"	Case: P = Fiberglass Reinforced Thermoplastic	Tube & Socket: 1 = 316 St. Steel 3 = Monel	Mounting: A = Bottom, Direct with Wall Mount	Connection: 4 = 1/4" NPT 2 = 1/2" NPT	Range Code: See Page 12 for Range Codes Available Ranges: Vacuum, compound, and 15 psi to 20,000 psi	Filling: D = Dry (Fillable) G = Glycerine Other fills on request.
				Options: • Custom / Logo Dials • Removed Restrictor Screw • Chemical Seals	<ul style="list-style-type: none"> • Plastic Lens • Laminated Safety Glass • Flush Mounting Ring • Electric Contacts • Peak Indicator 	

PRESSURE GAUGE RANGES & CODES

Below are codes for standard pressure ranges. Many other ranges are available - consult REOTEMP or your REOTEMP distributor.

Vacuum Ranges

psi		DUAL SCALE psi & metric				Single Scale-METRIC							
psi		psi & bar		psi & kg/cm2		psi & kPa		bar		kg/cm2		kPa	
Code	Range	Code	Range	Code	Range	Code	Range	Code	Range	Code	Range	Code	Range
P01	-30/0 "Hg	D01	"Hg & -1/0 bar	G01	"Hg & -1/0 kg/cm2	L01	"Hg & -100/0 kPa	B00	-1/0 bar	K00	-1/0 kg/cm2	A00	-100/0 kPa

Compound Ranges

psi		DUAL SCALE psi & metric				Single Scale-METRIC							
"Hg/0/psi		psi & bar		psi & kg/cm2		psi & kPa		bar		kg/cm2		kPa	
Code	Range	Code	Range	Code	Range	Code	Range	Code	Range	Code	Range	Code	Range
P02	-30"Hg/0/15 psi	D02	psi & -1/0/1 bar	G02	psi & -1/0/1 kg/cm2	L02	psi & -100/0/100 kPa	B01	-1/0/1 bar	K01	-1/0/1 kg/cm2	A01	-100/0/100 kPa
P03	-30/0/30	D03	psi & -1/0/2	G03	psi & -1/0/2	L03	psi & -100/0/200	B02	-1/0/2	K02	-1/0/2	A02	-100/0/200
P04	-30/0/60	D04	psi & -1/0/4	G04	psi & -1/0/4	L04	psi & -100/0/400	B04	-1/0/4	K04	-1/0/4	A04	-100/0/400
P05	-30/0/100	D05	psi & -1/0/7	G05	psi & -1/0/7	L05	psi & -100/0/700	B07	-1/0/7	K07	-1/0/7	A07	-100/0/700
P06	-30/0/160	D06	psi & -1/0/11	G06	psi & -1/0/11	L06	psi & -100/0/1,100	B011	-1/0/11	K011	-1/0/11	A011	-100/0/1,100
P07	-30/0/200	D07	psi & -1/0/14	G07	psi & -1/0/14	L07	psi & -100/0/1,400	B014	-1/0/14	K014	-1/0/14	A014	-100/0/1,400
P08	-30/0/300	D08	psi & -1/0/20	G08	psi & -1/0/20	L08	psi & -100/0/2,000	B020	-1/0/20	K020	-1/0/20	A020	-100/0/2,000

Pressure Ranges

psi		DUAL SCALE psi & metric				Single Scale-METRIC							
psi		psi & bar		psi & kg/cm2		psi & kPa		bar		kg/cm2		kPa	
Code	Range	Code	Range	Code	Range	Code	Range	Code	Range	Code	Range	Code	Range
P15	0-15 psi	D15	psi & 0-1 bar	G15	psi & 0-1 kg/cm2	L15	psi & 0-100 kPa	B1	0-1 bar	K1	0-1 kg/cm2	A1	0-100 kPa
P16	0-30	D16	psi & 0-2	G16	psi & 0-2	L16	psi & 0-200	B2	0-2	K2	0-2	A2	0-200
P17	0-60	D17	psi & 0-4	G17	psi & 0-4	L17	psi & 0-400	B4	0-4	K4	0-4	A4	0-400
P18	0-100	D18	psi & 0-7	G18	psi & 0-7	L18	psi & 0-700	B7	0-7	K7	0-7	A7	0-700
P19	0-160	D19	psi & 0-11	G19	psi & 0-11	L19	psi & 0-1,100	B11	0-11	K11	0-11	A11	0-1,100
P20	0-200	D20	psi & 0-14	G20	psi & 0-14	L20	psi & 0-1,400	B14	0-14	K14	0-14	A14	0-1,400
P21	0-300	D21	psi & 0-20	G21	psi & 0-20	L21	psi & 0-2,000	B20	0-20	K20	0-20	A20	0-2,000
P22	0-400	D22	psi & 0-28	G22	psi & 0-28	L22	psi & 0-2,800	B28	0-28	K28	0-28	A28	0-2,800
P23	0-600	D23	psi & 0-40	G23	psi & 0-40	L23	psi & 0-4,000	B40	0-40	K40	0-40	A40	0-4,000
P24	0-800	D24	psi & 0-55	G24	psi & 0-55	L24	psi & 0-5,500	B55	0-55	K55	0-55	A55	0-5,500
P25	0-1,000	D25	psi & 0-70	G25	psi & 0-70	L25	psi & 0-7,000	B70	0-70	K70	0-70	A70	0-7,000
P30	0-1,500	D30	psi & 0-100	G30	psi & 0-100	L30	psi & 0-10,000	B100	0-100	K100	0-100	A100	0-10,000
P31	0-2,000	D31	psi & 0-140	G31	psi & 0-140	L31	psi & 0-14,000	B140	0-140	K140	0-140	A140	0-14,000
P32	0-3,000	D32	psi & 0-200	G32	psi & 0-200	L32	psi & 0-20,000	B200	0-200	K200	0-200	A200	0-20,000
P33	0-4,000	D33	psi & 0-280	G33	psi & 0-280	L33	psi & 0-28,000	B280	0-280	K280	0-280	A280	0-28,000
P34	0-5,000	D34	psi & 0-350	G34	psi & 0-350	L34	psi & 0-35,000	B350	0-350	K350	0-350	A350	0-35,000
P35	0-6,000	D35	psi & 0-400	G35	psi & 0-400	L35	psi & 0-40,000	B400	0-400	K400	0-400	A400	0-40,000
P36	0-8,000	D36	psi & 0-550	G36	psi & 0-550	L36	psi & 0-55,000	B550	0-550	K550	0-550	A550	0-55,000
P37	0-10,000	D37	psi & 0-700	G37	psi & 0-700	L37	psi & 0-70,000	B700	0-700	K700	0-700	A700	0-70,000
P38	0-15,000	D38	psi & 0-1,000	G38	psi & 0-1,000	L38	psi & 0-100,000	B1K	0-1,000	K1K	0-1,000	A1K	0-100,000
P39	0-20,000	D39	psi & 0-1,400	G39	psi & 0-1,400	L39	psi & 0-140,000						
P40	0-30,000	D40	psi & 0-2,000	G40	psi & 0-2,000	L40	psi & 0-200,000						
P41	0-40,000	D41	psi & 0-2,800	G41	psi & 0-2,800	L41	psi & 0-280,000						
P42	0-50,000	D42	psi & 0-3,500	G42	psi & 0-3,500	L42	psi & 0-350,000						
P60	3-15 (receiver - several ranges available - specify.)												

Low Pressure Ranges (for use on PC Series)

INWC		oz/in ²		mbar		Other Low Pressure Ranges Avail.	CUSTOM RANGES
Code	Range	Code	Range	Code	Range		
P50	0-10"WC					mm H ₂ O mmHg(torr) kPa	We will draw a custom range for your application - contact factory or your REOTEMP distributor examples: Tons on Ram Refrigeration Scales Tank level
P51	0-15	Z51	0-8 oz/in ²	M51	0-40 mbar		
P52	0-30	Z52	0-20	M525	0-100		
P53	0-60	Z53	0-30	M53F	0-150		
P54	0-100			M54	0-250		
P55	0-160			M55	0-400		
P56	0-200	Z56	0-100	M56	0-500		