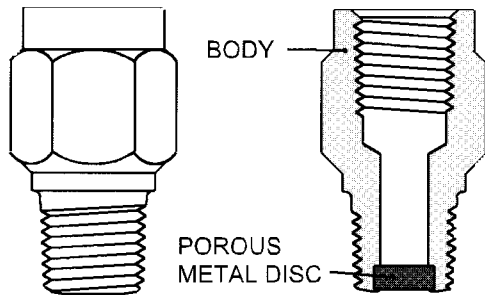


REOTEMP Snubbers are a simple cost-effective solution to harmful pressure surges and pulsation. When a REOTEMP Snubber is installed it absorbs pulsation and surges - protecting your instrumentation and stabilizing the pointer for easier readings. Available in an adjustable self-cleaning piston design or economical porous disc type.



POROUS DISC TYPE

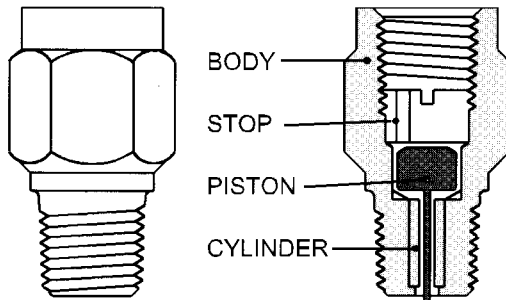


- Economical choice for non-clogging applications
- Different porosities available for various viscosities

Material	Max. PSI	NPT	Porosity	Part #
Brass	5,000	1/4	Liquid Gas	PXS-722BE PXS-722BG
		1/2	Liquid Gas	PXS-723BE PXS-723BG
303SS	15,000	1/4	Liquid Gas	PXS-722SE PXS-722SG
		1/2	Liquid Gas	PXS-723SE PXS-723SG

Other Porosities available: "D"= for thick oils
"HX" = for Hi-pressure gas

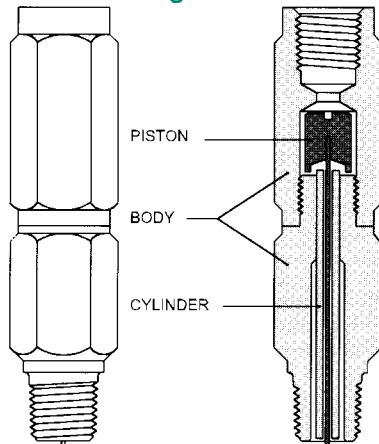
PISTON TYPE - Short Orifice



- Moving Piston Design for self-cleaning action
- Solid Body for High pressure resistance
- Three pistons included for adjustable snubbing

Material	Max. PSI	NPT	Length (in.)	Part #
Brass Monel	5,000	1/4	1.5	PXS-022B PXS-022M
303SS 316SS	15,000			PXS-022S PXS-022SS
Brass Monel	5,000	1/2	2.0	PXS-023B PXS-023M
303SS 316SS	15,000			PXS-023S PXS-023SS

PISTON TYPE - Long Orifice



- Moving Piston Design for self-cleaning action
- Long orifice for smoother snubbing
- Three pistons included for adjustable snubbing
- Center Joint (1/4" and brass models) for easier adjustment

Material	Max. PSI	NPT	Length (in.)	Part #
Brass	3,000	1/4	3.46	PXS-010B
303SS 316SS	5,000			PXS-010S PXS-010SS
Brass	5,000	1/2	3.61	PXS-060B
303SS 316SS	10,000			PXS-060S PXS-060SS