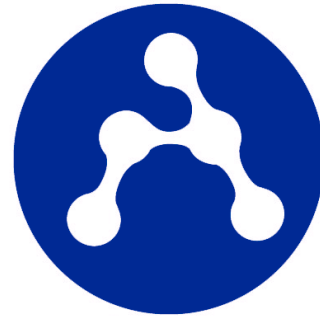


Aircom
Industries

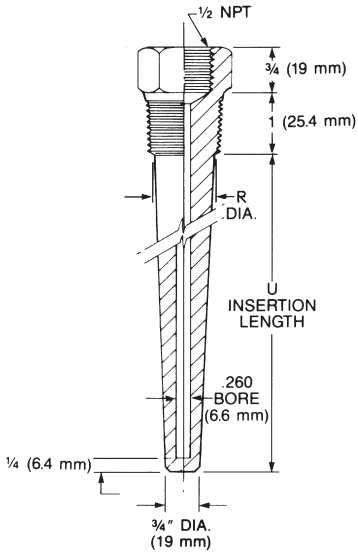


Threaded Tapered Thermowells.....	TW-1
BI-Metal Thermometer Thermowells, Tapered	TW-3
BI-Metal Thermometer Thermowells, Stepped.....	TW-4
Threaded Straight Thermowells	TW-5
Threaded Test Wells.....	TW-6
Threaded Wrench Flat Thermowells	TW-7
Socketweld Thermowells.....	TW-9
Flanged Thermowells.....	TW-11
Vanstone Thermowells	TW-13



TAPERED THERMOWELL

STANDARD 0.260" BORE



TO ORDER:

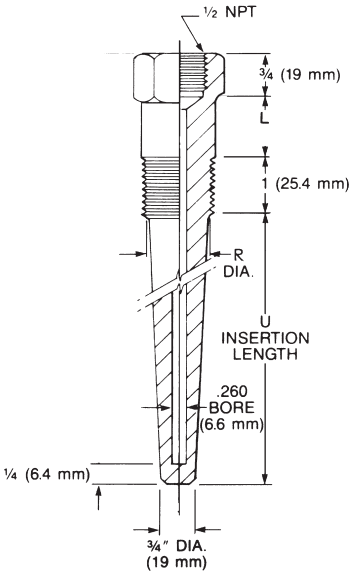
S24 - - - (U) Inches

Code	Process Connection	"R"
3/4	3/4" NPT	7/8"
1	1" NPT	1 1/16"

Code	Material
304	304/L SS
316	316/L SS
()	Other Specify

Optional plug and chain available on request.

LAGGING EXTENSION 0.260" BORE



TO ORDER:

SL24 - - - - (L) Inches (U) Inches

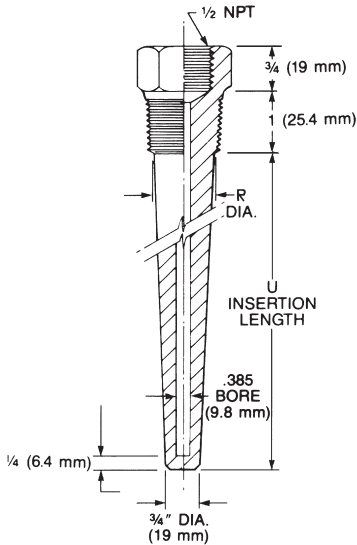
Code	Process Connection	"R"
3/4	3/4" NPT	7/8"
1	1" NPT	1 1/16"

Code	Material
304	304/L SS
316	316/L SS
()	Other Specify

Optional plug and chain available on request.

TAPERED THERMOWELL

STANDARD 0.385" BORE



TO ORDER:

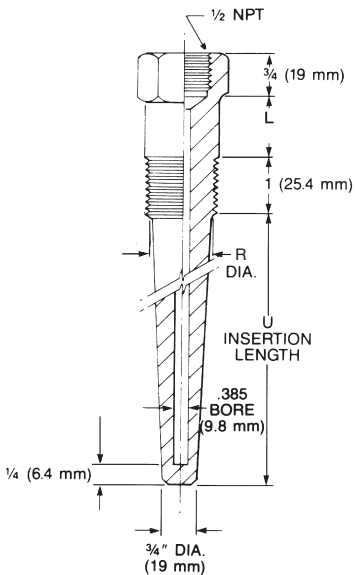
S34 - - -
 (U) Inches

Code	Process Connection	"R"
3/4	3/4" NPT	7/8"
1	1" NPT	1 1/16"

Code	Material
304	304/L SS
316	316/L SS
()	Other Specify

Optional plug and chain available on request.

LAGGING EXTENSION 0.385" BORE



TO ORDER:

SL34 - - - -
 (L) Inches (U) Inches

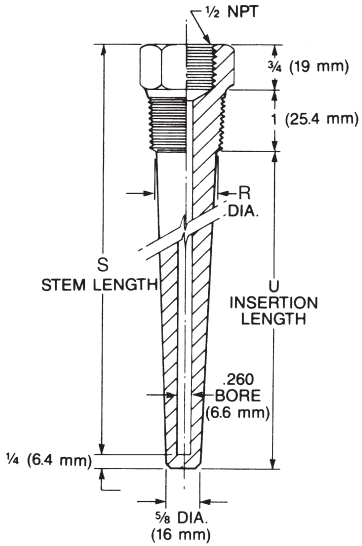
Code	Process Connection	"R"
3/4	3/4" NPT	7/8"
1	1" NPT	1 1/16"

Code	Material
304	304/L SS
316	316/L SS
()	Other Specify

Optional plug and chain available on request.

BI-METAL TAPERED THERMOWELL

STANDARD 0.260" BORE



TO ORDER:

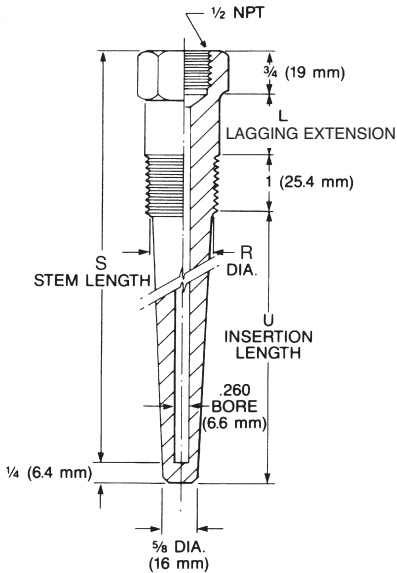
B24 - - -
 (U) Inches

Code	Process Connection	"R"
3/4	3/4" NPT	7/8"
1	1" NPT	1 1/16"

Code	Material
304	304/L SS
316	316/L SS
()	Other Specify

Optional plug and chain available on request.

LAGGING EXTENSION 0.260" BORE



TO ORDER:

BL24 - - - -
 (L) Inches (U) Inches

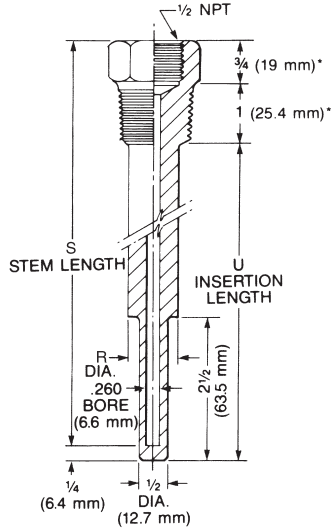
Code	Process Connection	"R"
3/4	3/4" NPT	7/8"
1	1" NPT	1 1/16"

Code	Material
304	304/L SS
316	316/L SS
()	Other Specify

Optional plug and chain available on request.

BI-METAL STEPPED THERMOWELL

STANDARD 0.260" BORE



TO ORDER:

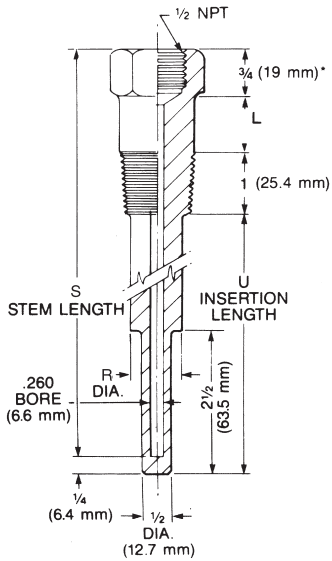
S26 - - - (U) Inches

Code	Process Connection	"R"	
1/2	1/2" NPT	5/8"	1 1/8" HEX BAR
3/4	3/4" NPT	3/4"	BAR
1	1" NPT	7/8"	1 3/8" HEX BAR

Code	Material
304	304/L SS
316	316/L SS
()	Other Specify

Optional plug and chain available on request.

LAGGING EXTENSION 0.260" BORE



TO ORDER:

SL26 - - - - (L) Inches (U) Inches

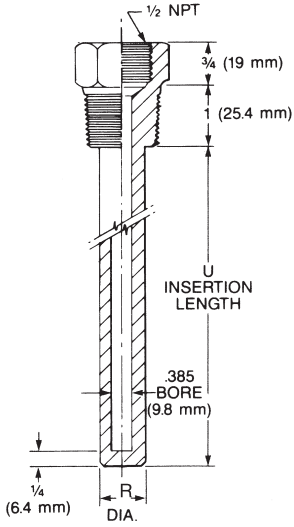
Code	Process Connection	"R"	
1/2	1/2" NPT	5/8"	1 1/8" HEX BAR
3/4	3/4" NPT	3/4"	BAR
1	1" NPT	7/8"	1 3/8" HEX BAR

Code	Material
304	304/L SS
316	316/L SS
()	Other Specify

Optional plug and chain available on request.

STRAIGHT THERMOWELL

STANDARD 0.385" BORE



TO ORDER:

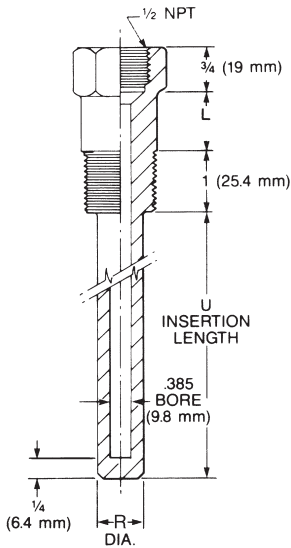
S32 - - - (U) Inches

Code	Process Connection	"R"	
1/2	1/2" NPT	5/8"	1 1/8" HEX BAR
3/4	3/4" NPT	3/4"	BAR
1	1" NPT	3/4"	1 3/8" HEX BAR

Code	Material
304	304/L SS
316	316/L SS
()	Other Specify

Optional plug and chain available on request.

LAGGING EXTENSION 0.385" BORE



TO ORDER:

SL32 - - - (L) Inches - (U) Inches

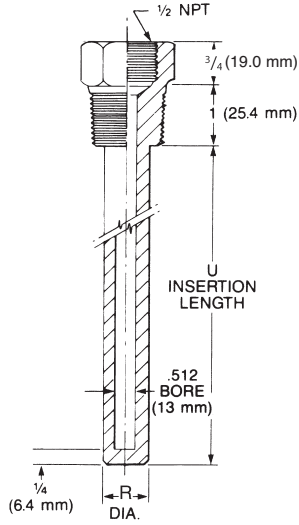
Code	Process Connection	"R"	
1/2	1/2" NPT	5/8"	1 1/8" HEX BAR
3/4	3/4" NPT	3/4"	BAR
1	1" NPT	3/4"	1 3/8" HEX BAR

Code	Material
304	304/L SS
316	316/L SS
()	Other Specify

Optional plug and chain available on request.

TEST WELL THERMOWELL

0.512" BORE



TO ORDER:

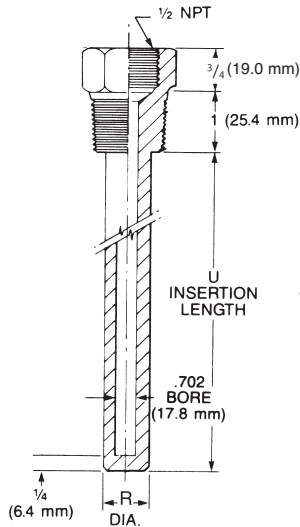
TW52 - - -
 (U) Inches

Code	Process Connection	R
3/4	3/4" NPT	.825"
1	1" NPT	1"

Code	Material
304	304/L SS
316	316/L SS
()	Other Specify

Optional plug and chain available on request.
 For lagging extension add "L = ()" to part number.

0.702" BORE



TO ORDER:

TW72 - - -
 (U) Inches

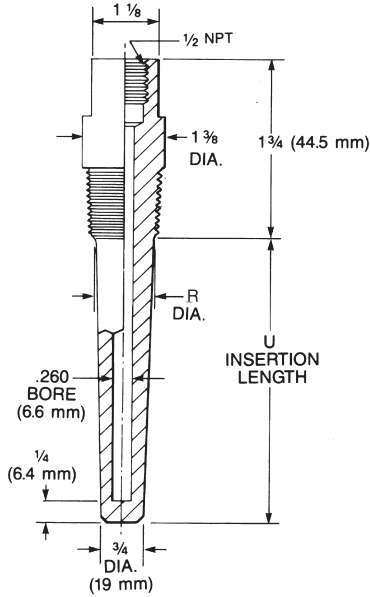
Code	Process Connection	R
3/4	3/4" NPT	.825"
1	1" NPT	1"

Code	Material
304	304/L SS
316	316/L SS
()	Other Specify

Optional plug and chain available on request.
 For lagging extension add "L = ()" to part number.

WRENCH FLAT THERMOWELL

TAPERED 0.260" BORE



TO ORDER:

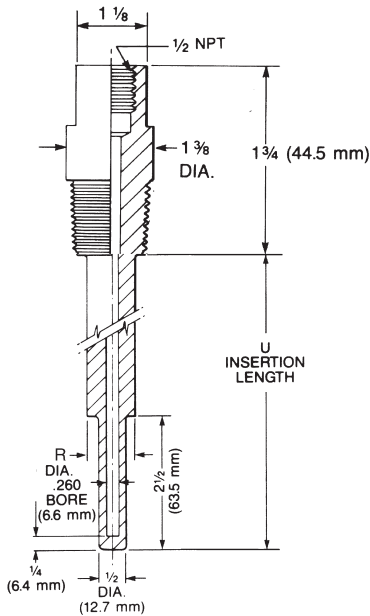
WF24 - - -
 (U) Inches

Code	Process Connection	"R"
3/4	3/4" NPT	7/8"
1	1" NPT	1 1/16"

Code	Material
304	304/L SS
316	316/L SS
()	Other Specify

Optional plug and chain available on request.

STEPPED 0.260" BORE



TO ORDER:

WF26 - - -
 (U) Inches

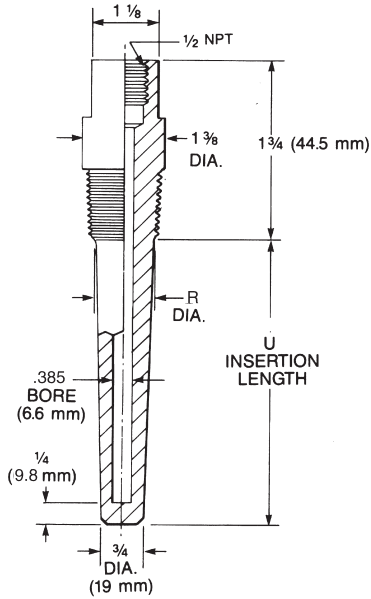
Code	Process Connection	"R"
3/4	3/4" NPT	3/4"
1	1" NPT	7/8"

Code	Material
304	304/L SS
316	316/L SS
()	Other Specify

Optional plug and chain available on request.

WRENCH FLAT THERMOWELL

TAPERED 0.385" BORE



TO ORDER:

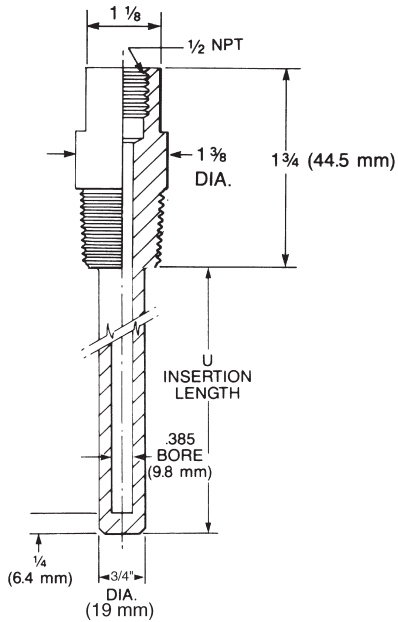
WF34 - - -
 (U) Inches

Code	Process Connection	"R"
3/4	3/4" NPT	7/8"
1	1" NPT	1 1/16"

Code	Material
304	304/L SS
316	316/L SS
()	Other Specify

Optional plug and chain available on request.

STRAIGHT 0.385" BORE



TO ORDER:

WF32 - - -
 (U) Inches

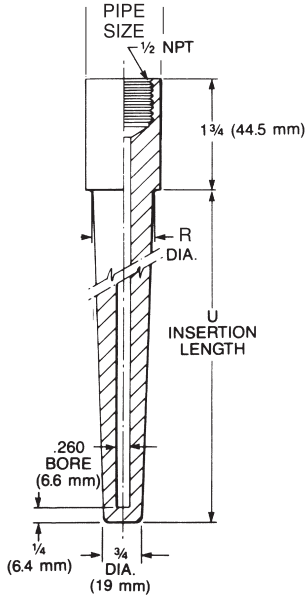
Code	Process Connection
3/4	3/4" NPT
1	1" NPT

Code	Material
304	304/L SS
316	316/L SS
()	Other Specify

Optional plug and chain available on request.

SOCKET WELD THERMOWELL

TAPERED 0.260" BORE



TO ORDER:

SW24 - - - - (U) Inches

Code	Process Connection	"R"	
		3000#	6000#
3/4	3/4" Pipe	0.813"	0.609"
1	1" Pipe	1.05"	0.750"

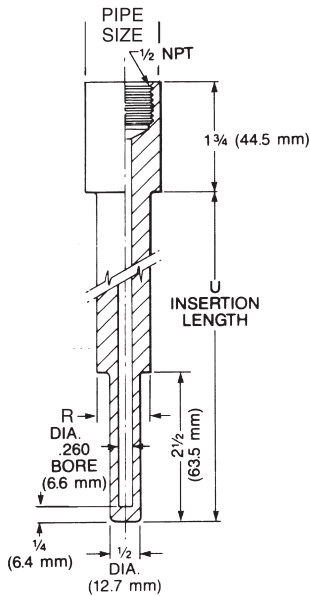
3	3000#
6	6000#

Code	Material
304	304/L SS
316	316/L SS
()	Other Specify

NOTE:
For 3/4" 6000#, straight profile of 0.609" as supplied.

Optional plug and chain available on request.

STEPPED 0.260" BORE



TO ORDER:

SW26 - - - - (U) Inches

Code	Process Connection	"R"	
		3000#	6000#
3/4	3/4" Pipe	0.813"	0.609"
1	1" Pipe	1.05"	0.750"

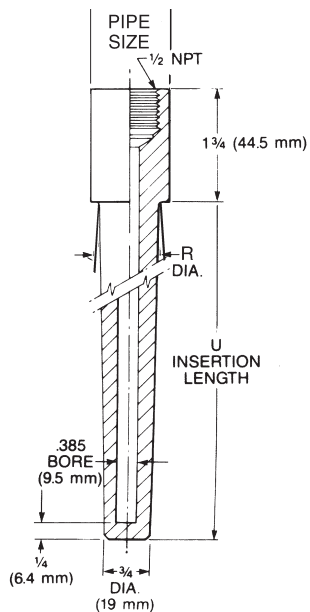
3	3000#
6	6000#

Code	Material
304	304/L SS
316	316/L SS
()	Other Specify

Optional plug and chain available on request.

SOCKET WELD THERMOWELL

TAPERED 0.385" BORE



TO ORDER:

SW34 - - - - (U) Inches

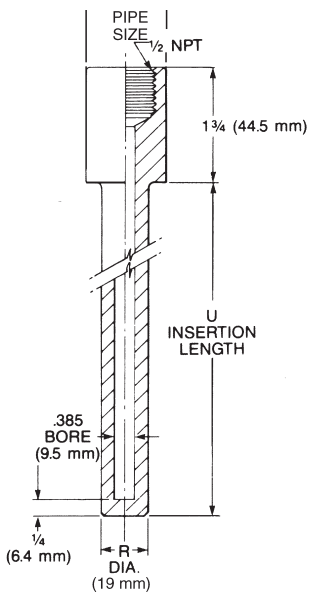
Code	Process Connection	"R"	
		3000#	6000#
3/4	3/4" Pipe	0.813"	
1	1" Pipe	1.05"	0.750"

3	3000#
6	6000#

Code	Material
304	304/L SS
316	316/L SS
()	Other Specify

Optional plug and chain available on request.

STRAIGHT 0.385" BORE



TO ORDER:

SW32 - - - - (U) Inches

Code	Process Connection	"R"	
		3000#	6000#
3/4	3/4" Pipe	0.813"	
1	1" Pipe	1.05"	0.750"

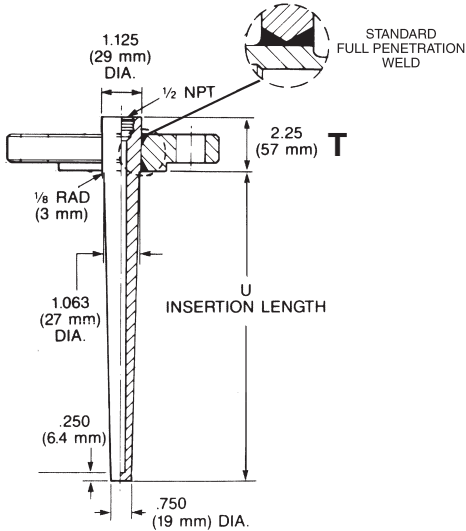
3	3000#
6	6000#

Code	Material
304	304/L SS
316	316/L SS
()	Other Specify

Optional plug and chain available on request.

FLANGED THERMOWELL

TAPERED 0.260" BORE



TO ORDER:

F24 - - -
 (U) Inches

Code	Well Material
304	304/L SS
316	316/L SS
()	Other Specify

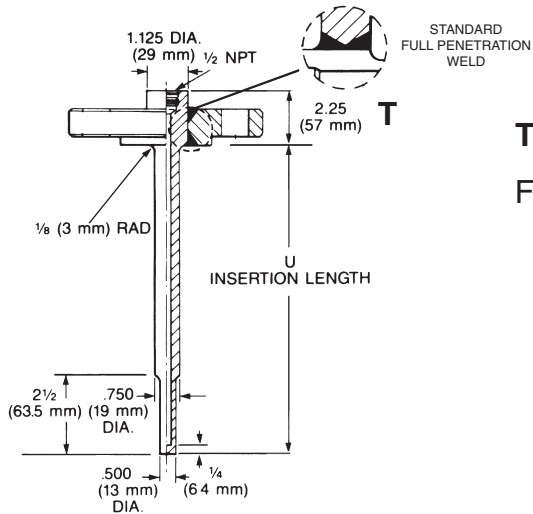
Flange, Specify
 Size - 1" to 3"
 Rating - 150 lb to 2500 lb
 Type - RF, FF, RTJ
 Material - 304/L, 316/L, Other

NOTE:

- "T" Dimension Minimum for Flanged Thermowells:
- 2 1/4" For ANSI 150, 300 and 600 lb. flanges
 - 3 1/4" for ANSI 900, 1500 and 2500 lb. flanges
 - For flange sizes 1" & 1 1/4":
O.D. of "U" = 3/4" Max.

Optional plug and chain available on request.

STEPPED 0.260" BORE



TO ORDER:

F26 - - -
 (U) Inches

Code	Well Material
304	304/L SS
316	316/L SS
()	Other Specify

Flange, Specify
 Size - 1" to 3"
 Rating - 150 lb to 2500 lb
 Type - RF, FF, RTJ
 Material - 304/L, 316/L, Other

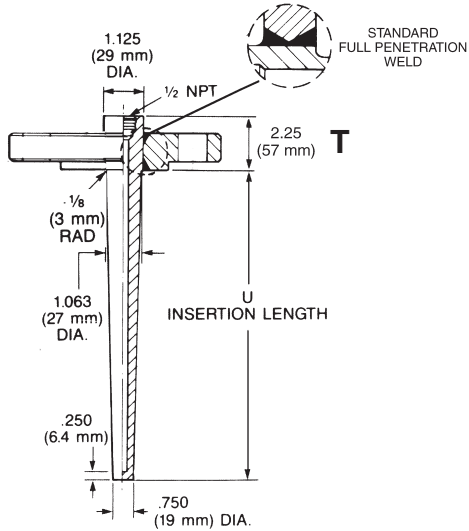
NOTE:

- "T" Dimension Minimum for Flanged Thermowells:
- 2 1/4" For ANSI 150, 300 and 600 lb. flanges
 - 3 1/4" for ANSI 900, 1500 and 2500 lb. flanges
 - For flange sizes 1" & 1 1/4":
O.D. of "U" = 3/4" Max.

Optional plug and chain available on request.

FLANGED THERMOWELL

TAPERED 0.385" BORE



TO ORDER:

F34 - - -
 (U) Inches

Code	Well Material
304	304/L SS
316	316/L SS
()	Other Specify

Flange, Specify
 Size - 1" to 3"
 Rating - 150 lb to 2500 lb
 Type - RF, FF, RTJ
 Material - 304/L, 316/L, Other

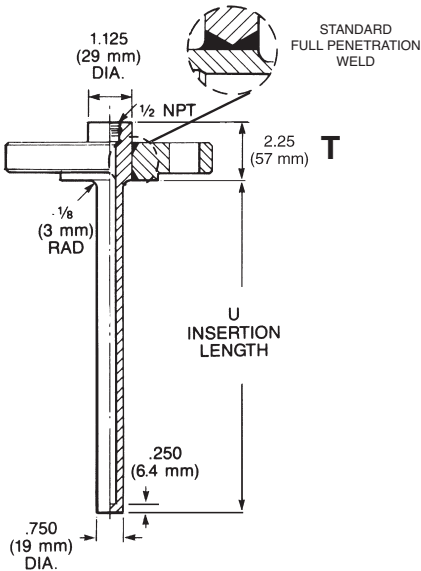
NOTE:

"T" Dimension Minimum for Flanged Thermowells:

- 2 1/4" For ANSI 150, 300 and 600 lb. flanges
- 3 1/4" for ANSI 900, 1500 and 2500 lb. flanges
- For flange sizes 1" & 1 1/4":
O.D. of "U" = 3/4" Max.

Optional plug and chain available on request.

STRAIGHT 0.385" BORE



TO ORDER:

F32 - - -
 (U) Inches

Code	Well Material
304	304/L SS
316	316/L SS
()	Other Specify

Flange, Specify
 Size - 1" to 3"
 Rating - 150 lb to 2500 lb
 Type - RF, FF, RTJ
 Material - 304/L, 316/L, Other

NOTE:

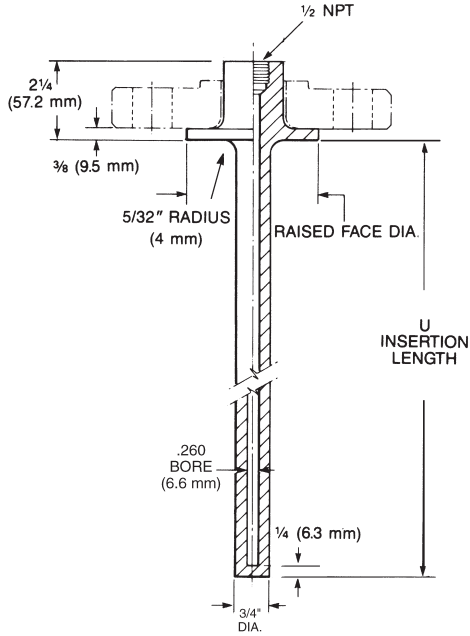
"T" Dimension Minimum for Flanged Thermowells:

- 2 1/4" For ANSI 150, 300 and 600 lb. flanges
- 3 1/4" for ANSI 900, 1500 and 2500 lb. flanges
- For flange sizes 1" & 1 1/4":
O.D. of "U" = 3/4" Max.

Optional plug and chain available on request.

VANSTONE THERMOWELL

STRAIGHT 0.260" BORE



TO ORDER:

VS22 - - - - (U) Inches

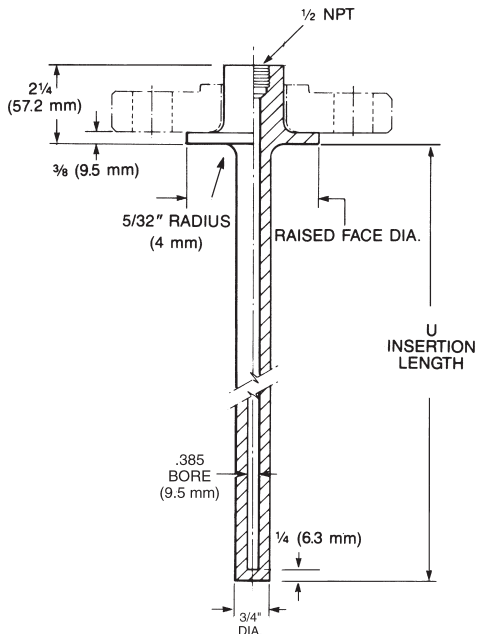
Flange Size
3/4
1
1 1/4
1 1/2

Flange Rating
150
300
600
1500
2500

Code	Well Material
304	304/L SS
316	316/L SS
()	Other Specify

Optional plug and chain available on request.

STRAIGHT 0.385" BORE



TO ORDER:

VS32 - - - - (U) Inches

Flange Size
3/4
1
1 1/4
1 1/2

Flange Rating
150
300
600
1500
2500

Code	Well Material
304	304/L SS
316	316/L SS
()	Other Specify

Optional plug and chain available on request.