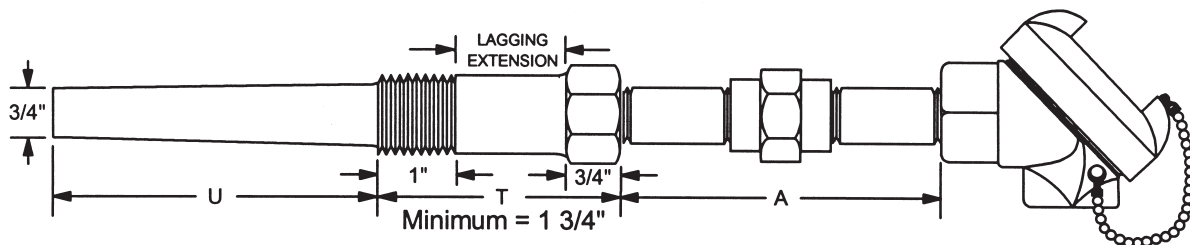
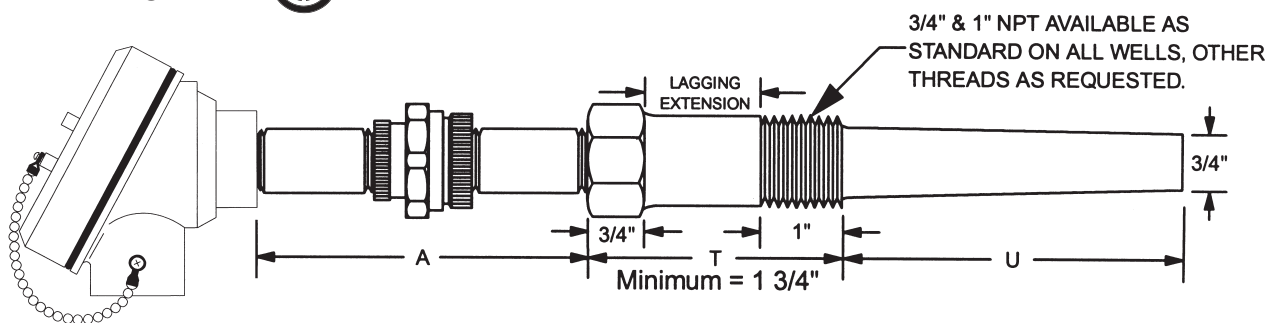


RTD ASSEMBLIES

GENERAL PURPOSE WITH THREADED THERMOWELL



EXPLOSION PROOF WITH THREADED THERMOWELL

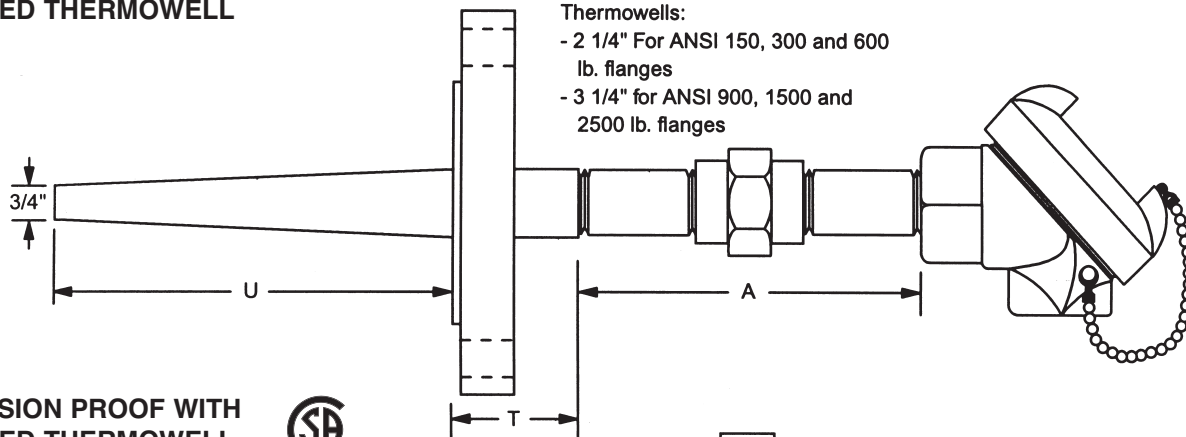


GENERAL PURPOSE WITH FLANGED THERMOWELL

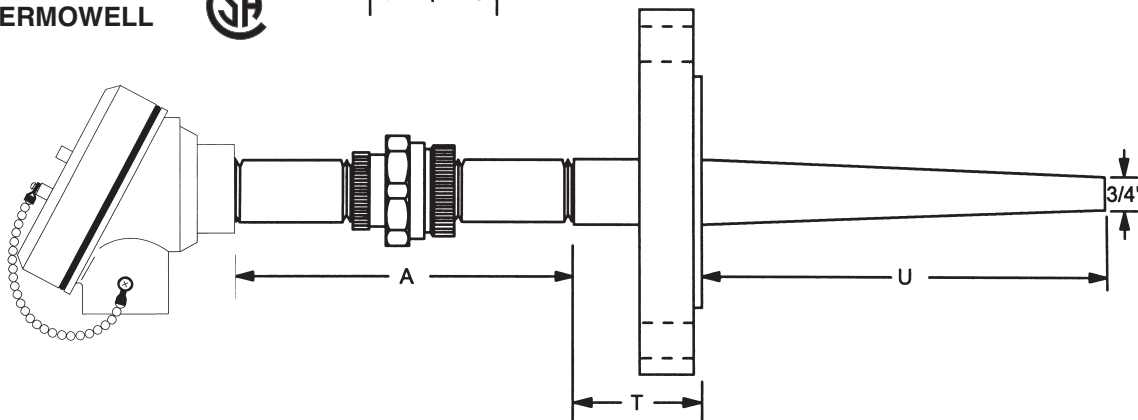
NOTE:

"T" Dimension Minimum for Flanged Thermowells:

- 2 1/4" For ANSI 150, 300 and 600 lb. flanges
- 3 1/4" for ANSI 900, 1500 and 2500 lb. flanges



EXPLOSION PROOF WITH FLANGED THERMOWELL



RTD ASSEMBLIES

CONNECTION HEAD

GENERAL PURPOSE: For non-hazardous locations.

Material: Cast Aluminum supplied as standard, optional cast iron available.

Conduit Connection: 3/4" NPT standard, optional 1/2" NPT available.

Process Connection: 1/2" NPT.

Termination: Ceramic composition with solid brass screw blocks. For single or dual element.

Extension: 1/2" NPT galvanized carbon steel nipples and union.

EXPLOSION PROOF: Class 1, Groups B, C & D. Class II, Groups E, F & G.

Choose from: Aluminum, Cast Iron, Stainless Steel, or Epoxy Coated Aluminum.

Conduit Connection: 3/4" NPT standard, optional 1/2" NPT available.

Process Connection: 1/2" NPT.

Termination: Bakelite terminal block is standard or ceramic for high temperature applications.

Extension: 1/2" NPT galvanized carbon steel nipples with plated steel explosion proof union.

ELEMENT

- 100Ω Platinum 385 0.1% @ 0°C standard (other tolerances and accuracies on request) with spring loaded 1/4" O.D. 316 SS sheath and single or dual element.

- Replacement Element Length: U + T + A with 6" leads (see page RT-4 to order).

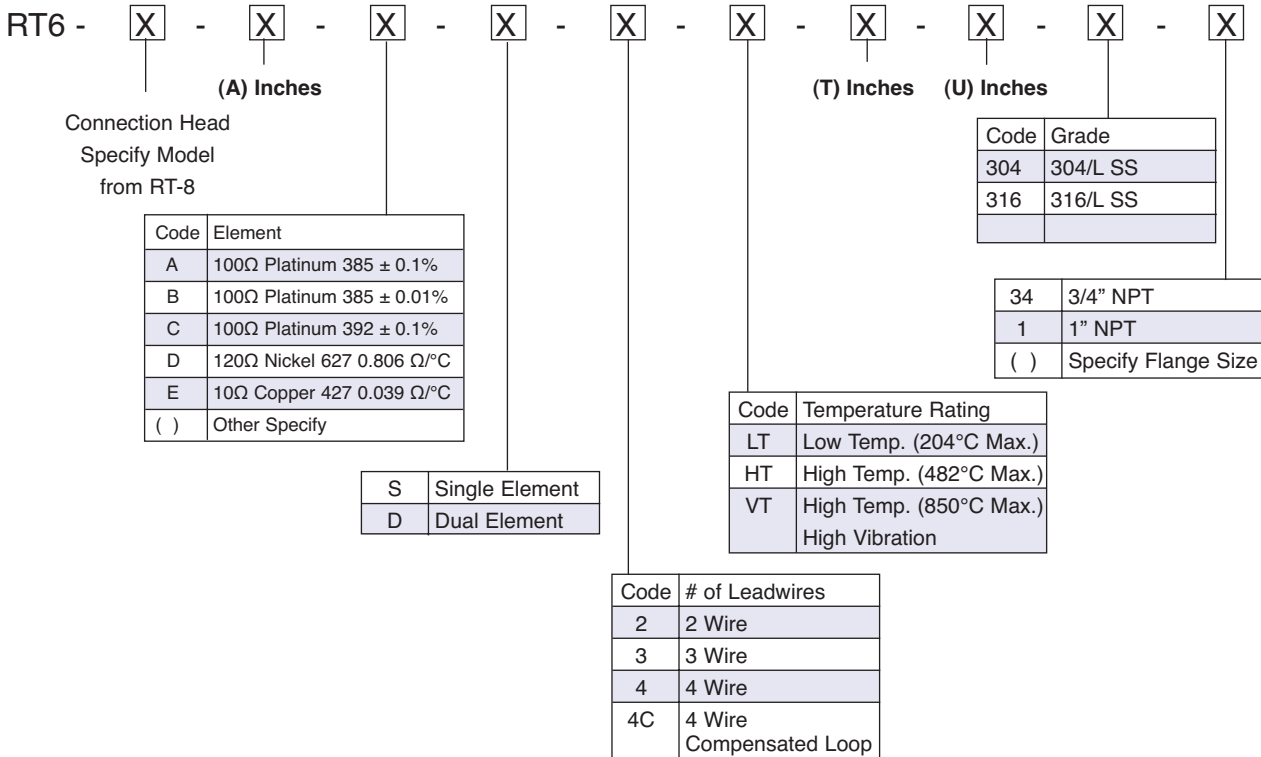
THERMOWELL

Threaded: 3/4" NPT or 1" NPT, hex bar stock drilled 0.260" bore tapered to 3/4" diameter.

Material: 304/L or 316/L SS supplied as standard, other grades available on request.

Flanged: 1 1/8" round bar stock, standard, optional 1 1/4" or 1 3/8", drilled 0.260" bore and tapered to 3/4" diameter.

Material: 304/L or 316/L SS supplied as standard, other grades available on request.



CONNECTION HEADS

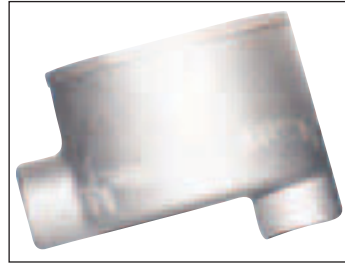
EXPLOSION PROOF



Class I, Div. I, Gr. B, C, D
Class II, Div. I, Gr. E, F, G
Class III

MODEL	MATERIAL
2AL	Cast Aluminum
2SS	316 Stainless Steel
2ALT	Cast Aluminum Teflon Coated

EXPLOSION PROOF



Class I, Div. I, Gr. A, B, C, D
Class II, Div. I, Gr. E, F, G
Class III

MODEL	MATERIAL
1AL	Cast Aluminum
1CI	Cast Iron
1ALT	Cast Aluminum Teflon Coated
1CIT	Cast Iron Teflon Coated

GENERAL PURPOSE



MODEL	MATERIAL
3AL	Cast Aluminum
3CI	Cast Iron
3ALE	Cast Aluminum Epoxy Coated
3CIE	Cast Iron Epoxy Coated

**NON HAZARDOUS
INDOOR/OUTDOOR/SANITARY**



MODEL	MATERIAL
4P	White Polypropylene (92°C Max.)
4D	Grey Delrin (135°C Max.)