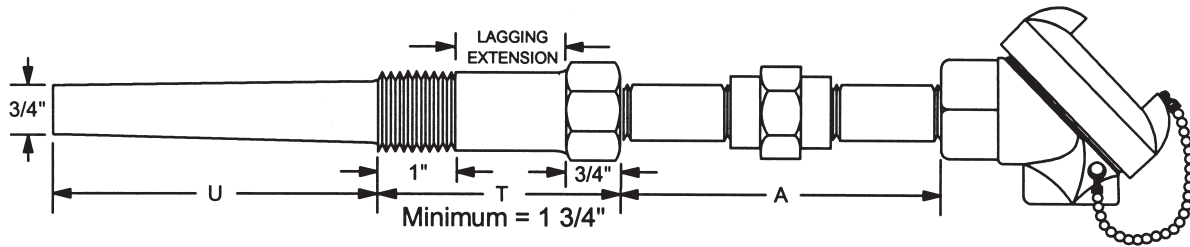
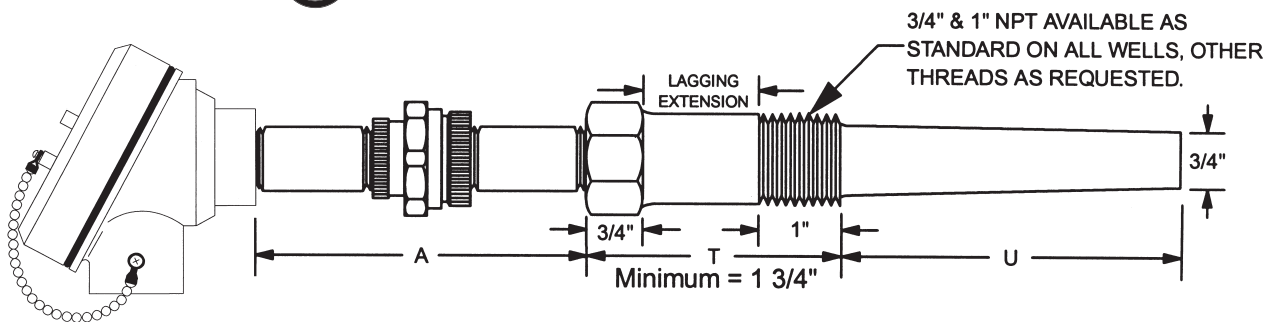


## COMPLETE ASSEMBLIES

### GENERAL PURPOSE WITH THREADED THERMOWELL



### EXPLOSION PROOF WITH THREADED THERMOWELL

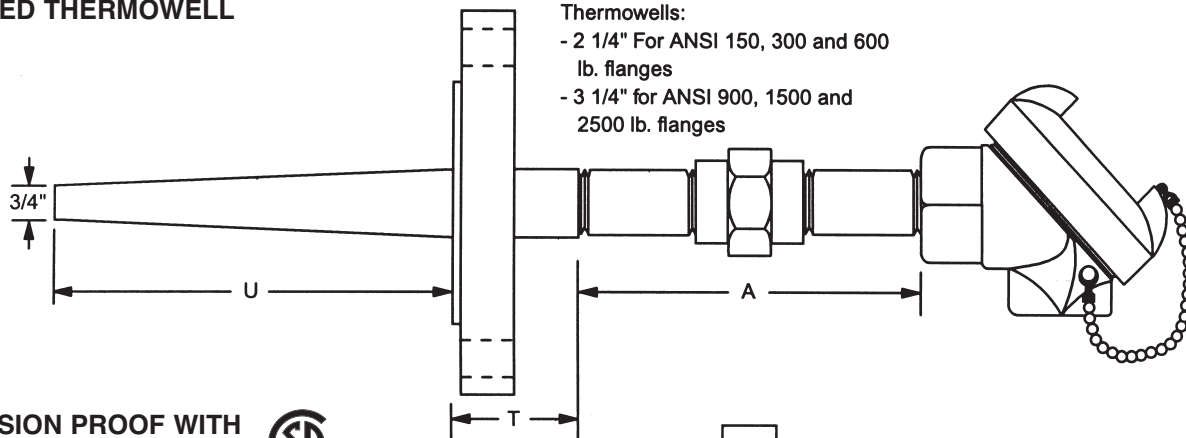


### GENERAL PURPOSE WITH FLANGED THERMOWELL

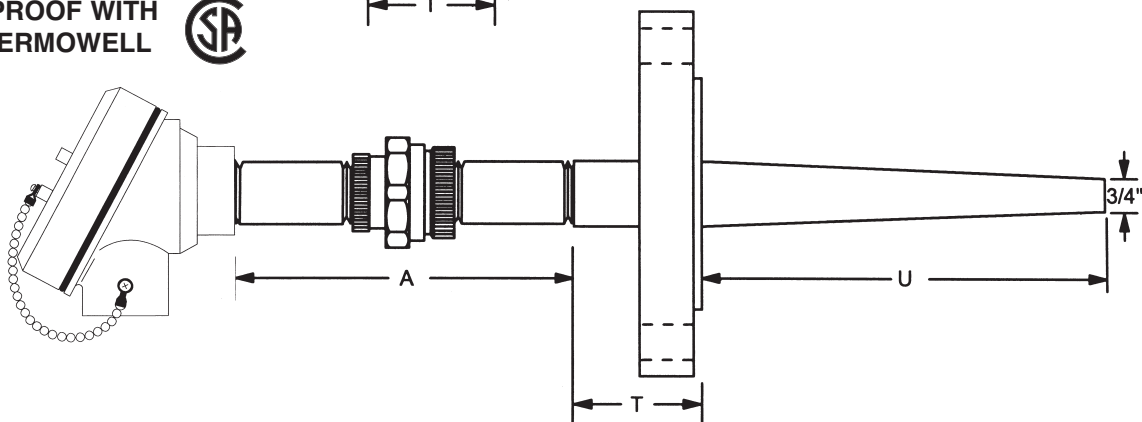
**NOTE:**

"T" Dimension Minimum for Flanged Thermowells:

- 2 1/4" For ANSI 150, 300 and 600 lb. flanges
- 3 1/4" for ANSI 900, 1500 and 2500 lb. flanges



### EXPLOSION PROOF WITH FLANGED THERMOWELL



## COMPLETE ASSEMBLIES

### CONNECTION HEAD

**GENERAL PURPOSE:** For non-hazardous locations.

Material: Cast Aluminum supplied as standard, optional cast iron available.

Conduit Connection: 3/4" NPT standard, optional 1/2" NPT available.

Process Connection: 1/2" NPT.

Termination: Ceramic composition with solid brass screw blocks. For single or dual element.

Extension: 1/2" NPT galvanized carbon steel nipples and union.

**EXPLOSION PROOF:** Class 1, Groups B, C & D. Class II, Groups E, F & G.

Choose from: Aluminum, Cast Iron, Stainless Steel, or Epoxy Coated Aluminum.

Conduit Connection: 3/4" NPT standard, optional 1/2" NPT available.

Process Connection: 1/2" NPT.

Termination: Bakelite terminal block is standard or ceramic for high temperature applications.

Extension: 1/2" NPT galvanized carbon steel nipples with plated steel explosion proof union.

### ELEMENT

All ANSI coded calibrations with spring loaded 1/4" O.D. 316 SS sheath. Single or dual element available.

Junction: Grounded and ungrounded available.

Replacement Element: Probe length = A + T + U with 6" Leads.

*See Page  
TC-4 of  
Catalogue*

### THERMOWELL

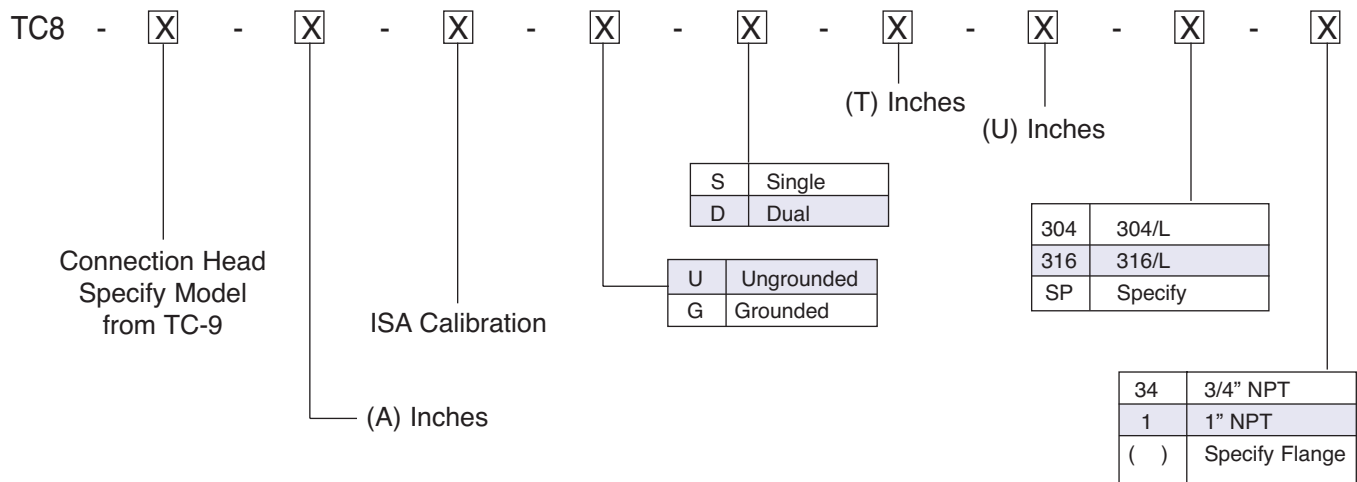
**Threaded:** 3/4" NPT or 1" NPT, hex bar stock drilled 0.260" bore, tapered to 3/4" diameter.

Material: 304/L or 316/L SS supplied as standard, other grades available on request.

**Flanged:** 1 1/8" round bar stock, standard, optional 1 1/4" or 1 3/8", drilled 0.260" bore and tapered to 3/4" diameter.

Material: 304/L or 316/L SS supplied as standard, other grades available on request.

### TO ORDER:



## CONNECTION HEADS

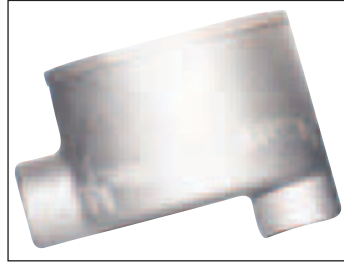
### EXPLOSION PROOF



Class I, Div. I, Gr. B, C, D  
Class II, Div. I, Gr. E, F, G  
Class III

MODEL	MATERIAL
2AL	Cast Aluminum
2SS	316 Stainless Steel
2ALT	Cast Aluminum Teflon Coated

### EXPLOSION PROOF



Class I, Div. I, Gr. A, B, C, D  
Class II, Div. I, Gr. E, F, G  
Class III

MODEL	MATERIAL
1AL	Cast Aluminum
1CI	Cast Iron
1ALT	Cast Aluminum Teflon Coated
1CIT	Cast Iron Teflon Coated

### GENERAL PURPOSE



MODEL	MATERIAL
3AL	Cast Aluminum
3CI	Cast Iron
3ALE	Cast Aluminum Epoxy Coated
3CIE	Cast Iron Epoxy Coated

### NON HAZARDOUS INDOOR/OUTDOOR/SANITARY



MODEL	MATERIAL
4P	White Polypropylene (92°C Max.)
4D	Grey Delrin (135°C Max.)