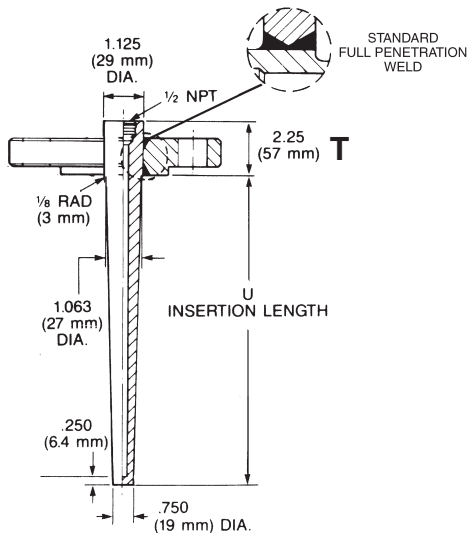


FLANGED THERMOWELL

TAPERED 0.260" BORE



TO ORDER:

F24 - - -
 (U) Inches

Code	Well Material
304	304/L SS
316	316/L SS
()	Other Specify

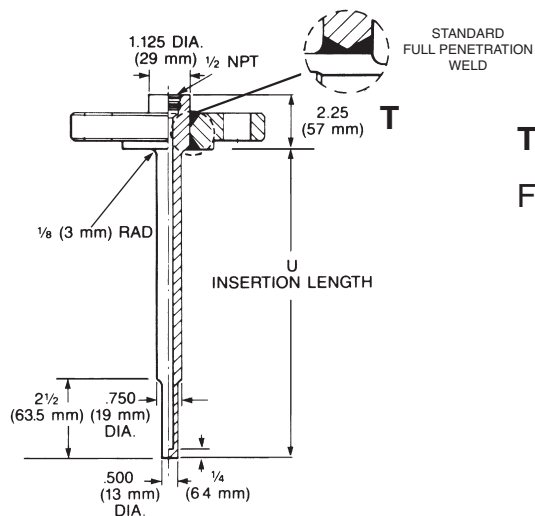
Flange, Specify
 Size - 1" to 3"
 Rating - 150 lb to 2500 lb
 Type - RF, FF, RTJ
 Material - 304/L, 316/L, Other

NOTE:

"T" Dimension Minimum for Flanged Thermowells:
 - 2 1/4" For ANSI 150, 300 and 600 lb. flanges
 - 3 1/4" for ANSI 900, 1500 and 2500 lb. flanges
 - For flange sizes 1" & 1 1/4":
 O.D. of "U" = 3/4" Max.

Optional plug and chain available on request.

STEPPED 0.260" BORE



TO ORDER:

F26 - - -
 (U) Inches

Code	Well Material
304	304/L SS
316	316/L SS
()	Other Specify

Flange, Specify
 Size - 1" to 3"
 Rating - 150 lb to 2500 lb
 Type - RF, FF, RTJ
 Material - 304/L, 316/L, Other

NOTE:

"T" Dimension Minimum for Flanged Thermowells:
 - 2 1/4" For ANSI 150, 300 and 600 lb. flanges
 - 3 1/4" for ANSI 900, 1500 and 2500 lb. flanges
 - For flange sizes 1" & 1 1/4":
 O.D. of "U" = 3/4" Max.

Optional plug and chain available on request.