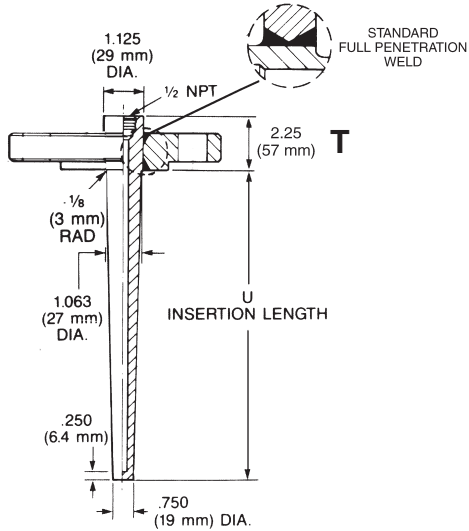


# FLANGED THERMOWELL

## TAPERED 0.385" BORE



### TO ORDER:

F34 -  -  -   
 (U) Inches

Code	Well Material
304	304/L SS
316	316/L SS
( )	Other Specify

Flange, Specify  
 Size - 1" to 3"  
 Rating - 150 lb to 2500 lb  
 Type - RF, FF, RTJ  
 Material - 304/L, 316/L, Other

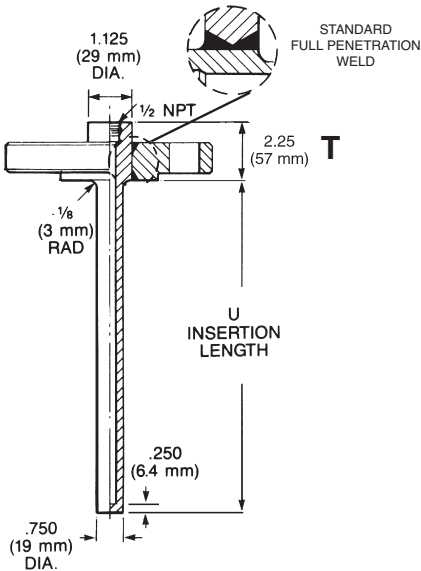
### NOTE:

"T" Dimension Minimum for Flanged Thermowells:

- 2 1/4" For ANSI 150, 300 and 600 lb. flanges
- 3 1/4" for ANSI 900, 1500 and 2500 lb. flanges
- For flange sizes 1" & 1 1/4":  
O.D. of "U" = 3/4" Max.

Optional plug and chain available on request.

## STRAIGHT 0.385" BORE



### TO ORDER:

F32 -  -  -   
 (U) Inches

Code	Well Material
304	304/L SS
316	316/L SS
( )	Other Specify

Flange, Specify  
 Size - 1" to 3"  
 Rating - 150 lb to 2500 lb  
 Type - RF, FF, RTJ  
 Material - 304/L, 316/L, Other

### NOTE:

"T" Dimension Minimum for Flanged Thermowells:

- 2 1/4" For ANSI 150, 300 and 600 lb. flanges
- 3 1/4" for ANSI 900, 1500 and 2500 lb. flanges
- For flange sizes 1" & 1 1/4":  
O.D. of "U" = 3/4" Max.

Optional plug and chain available on request.