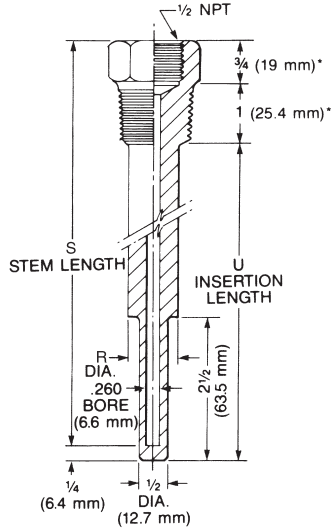


BI-METAL STEPPED THERMOWELL

STANDARD 0.260" BORE



TO ORDER:

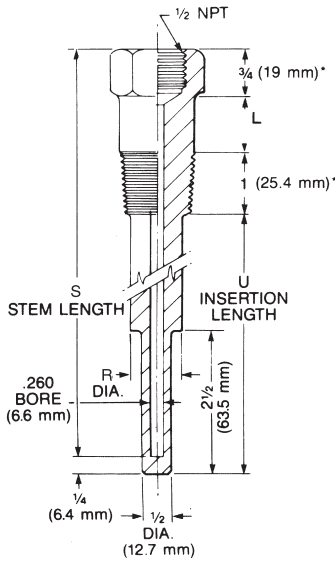
S26 - - -
 (U) Inches

| Code | Process Connection | "R" | |
|------|--------------------|------|----------------|
| 1/2 | 1/2" NPT | 5/8" | 1 1/8" HEX BAR |
| 3/4 | 3/4" NPT | 3/4" | BAR |
| 1 | 1" NPT | 7/8" | 1 3/8" HEX BAR |

| Code | Material |
|------|---------------|
| 304 | 304/L SS |
| 316 | 316/L SS |
| () | Other Specify |

Optional plug and chain available on request.

LAGGING EXTENSION 0.260" BORE



TO ORDER:

SL26 - - - -
 (L) Inches (U) Inches

| Code | Process Connection | "R" | |
|------|--------------------|------|----------------|
| 1/2 | 1/2" NPT | 5/8" | 1 1/8" HEX BAR |
| 3/4 | 3/4" NPT | 3/4" | BAR |
| 1 | 1" NPT | 7/8" | 1 3/8" HEX BAR |

| Code | Material |
|------|---------------|
| 304 | 304/L SS |
| 316 | 316/L SS |
| () | Other Specify |

Optional plug and chain available on request.