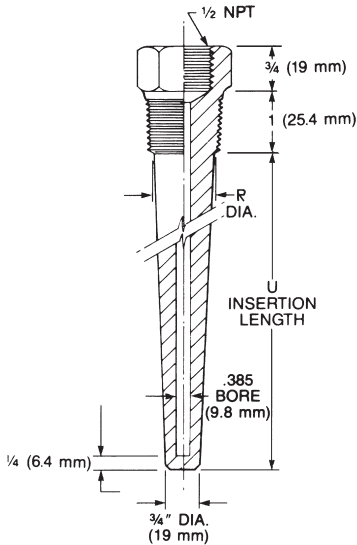


TAPERED THERMOWELL

STANDARD 0.385" BORE



TO ORDER:

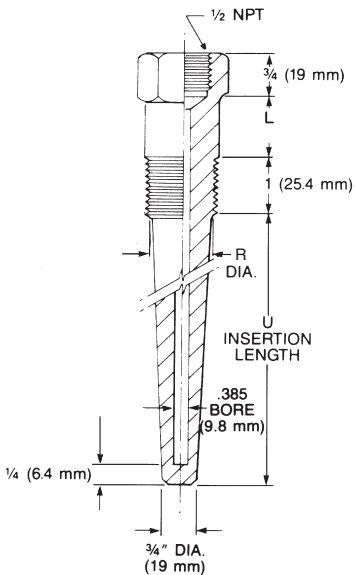
S34 - - -
 (U) Inches

Code	Process Connection	"R"
3/4	3/4" NPT	7/8"
1	1" NPT	1 1/16"

Code	Material
304	304/L SS
316	316/L SS
()	Other Specify

Optional plug and chain available on request.

LAGGING EXTENSION 0.385" BORE



TO ORDER:

SL34 - - - -
 (L) Inches (U) Inches

Code	Process Connection	"R"
3/4	3/4" NPT	7/8"
1	1" NPT	1 1/16"

Code	Material
304	304/L SS
316	316/L SS
()	Other Specify

Optional plug and chain available on request.