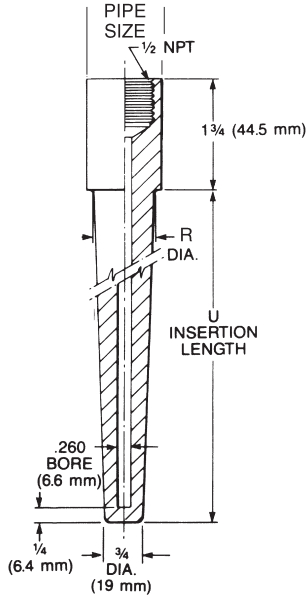


# SOCKET WELD THERMOWELL

## TAPERED 0.260" BORE



### TO ORDER:

SW24 -  -  -  -  (U) Inches

Code	Process Connection	"R"	
		3000#	6000#
3/4	3/4" Pipe	0.813"	0.609"
1	1" Pipe	1.05"	0.750"

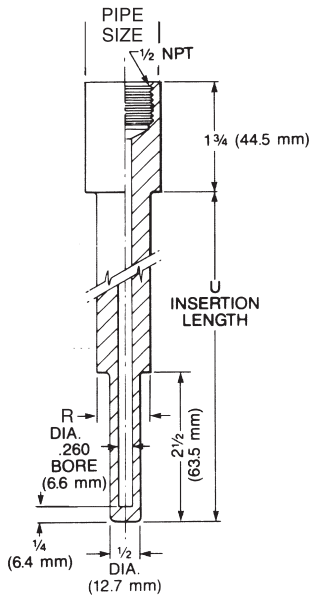
3	3000#
6	6000#

Code	Material
304	304/L SS
316	316/L SS
( )	Other Specify

**NOTE:**  
For 3/4" 6000#, straight profile of 0.609" as supplied.

Optional plug and chain available on request.

## STEPPED 0.260" BORE



### TO ORDER:

SW26 -  -  -  -  (U) Inches

Code	Process Connection	"R"	
		3000#	6000#
3/4	3/4" Pipe	0.813"	0.609"
1	1" Pipe	1.05"	0.750"

3	3000#
6	6000#

Code	Material
304	304/L SS
316	316/L SS
( )	Other Specify

Optional plug and chain available on request.