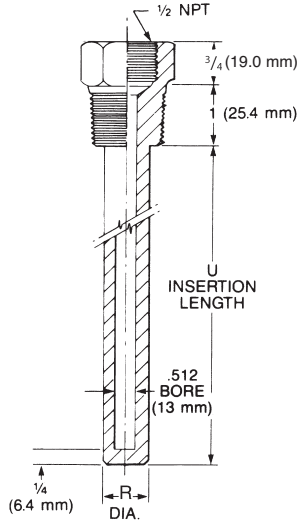


## TEST WELL THERMOWELL

### 0.512" BORE



**TO ORDER:**

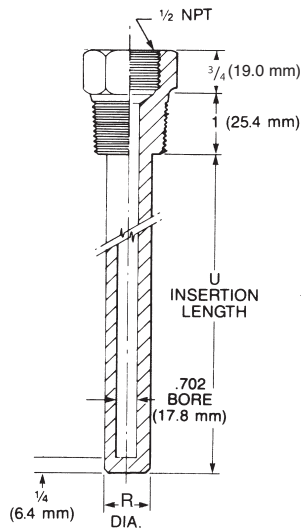
TW52 -  -  -   
 (U) Inches

| Code | Process Connection | R     |
|------|--------------------|-------|
| 3/4  | 3/4" NPT           | .825" |
| 1    | 1" NPT             | 1"    |

| Code | Material      |
|------|---------------|
| 304  | 304/L SS      |
| 316  | 316/L SS      |
| ( )  | Other Specify |

Optional plug and chain available on request.  
 For lagging extension add "L = ( )" to part number.

### 0.702" BORE



**TO ORDER:**

TW72 -  -  -   
 (U) Inches

| Code | Process Connection | R     |
|------|--------------------|-------|
| 3/4  | 3/4" NPT           | .825" |
| 1    | 1" NPT             | 1"    |

| Code | Material      |
|------|---------------|
| 304  | 304/L SS      |
| 316  | 316/L SS      |
| ( )  | Other Specify |

Optional plug and chain available on request.  
 For lagging extension add "L = ( )" to part number.