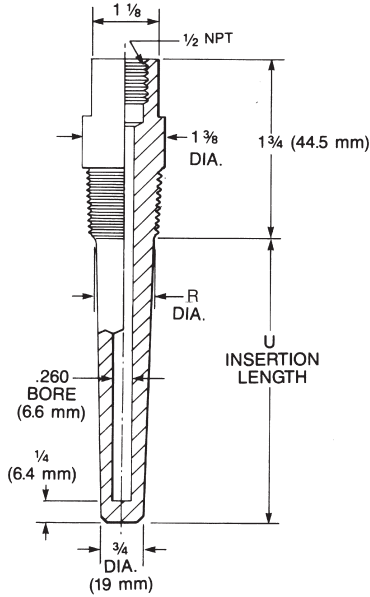


WRENCH FLAT THERMOWELL

TAPERED 0.260" BORE



TO ORDER:

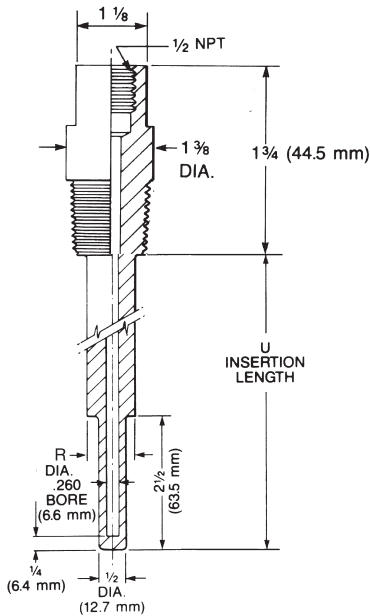
WF24 - - -
 (U) Inches

Code	Process Connection	"R"
3/4	3/4" NPT	7/8"
1	1" NPT	1 1/16"

Code	Material
304	304/L SS
316	316/L SS
()	Other Specify

Optional plug and chain available on request.

STEPPED 0.260" BORE



TO ORDER:

WF26 - - -
 (U) Inches

Code	Process Connection	"R"
3/4	3/4" NPT	3/4"
1	1" NPT	7/8"

Code	Material
304	304/L SS
316	316/L SS
()	Other Specify

Optional plug and chain available on request.