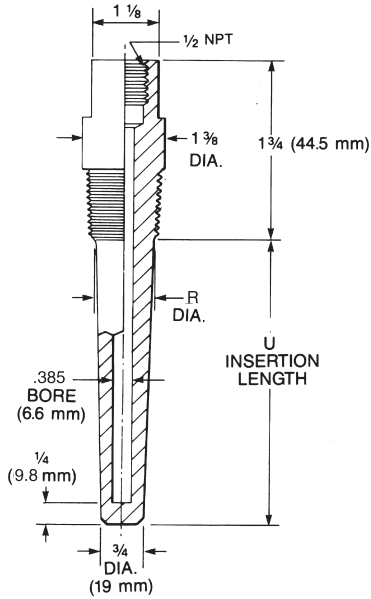


WRENCH FLAT THERMOWELL

TAPERED 0.385" BORE



TO ORDER:

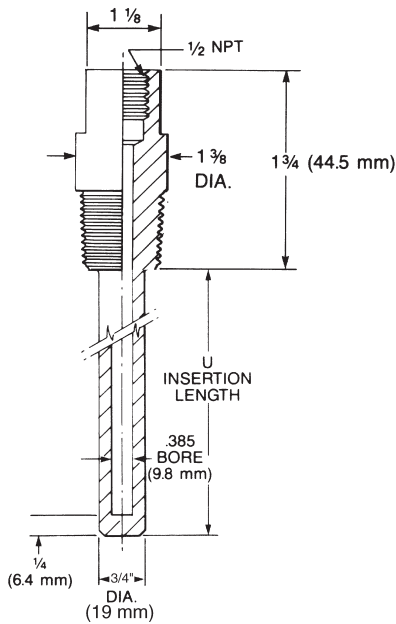
WF34 - - -
 (U) Inches

Code	Process Connection	"R"
3/4	3/4" NPT	7/8"
1	1" NPT	1 1/16"

Code	Material
304	304/L SS
316	316/L SS
()	Other Specify

Optional plug and chain available on request.

STRAIGHT 0.385" BORE



TO ORDER:

WF32 - - -
 (U) Inches

Code	Process Connection
3/4	3/4" NPT
1	1" NPT

Code	Material
304	304/L SS
316	316/L SS
()	Other Specify

Optional plug and chain available on request.